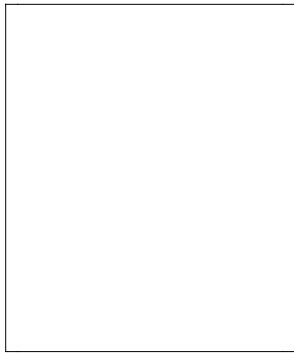


PART No. 1401G

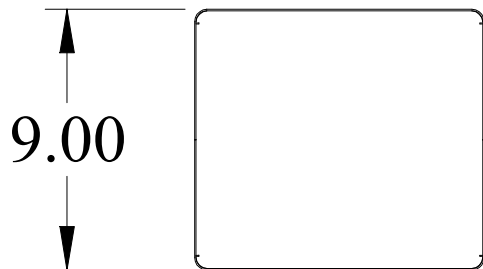
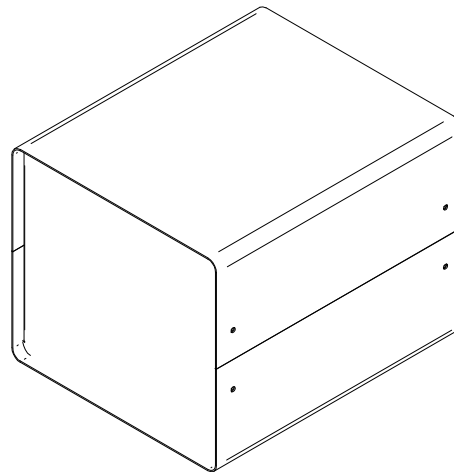
for more information visit
www.hammondmfg.com

Data subject to change without notice

ISOMETRIC VIEW NOT TO SCALE

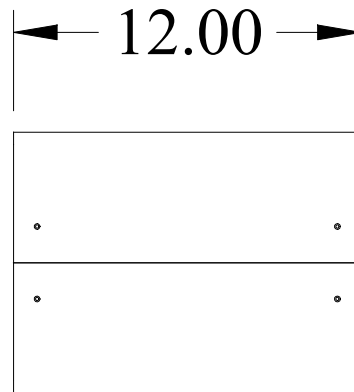


TOP



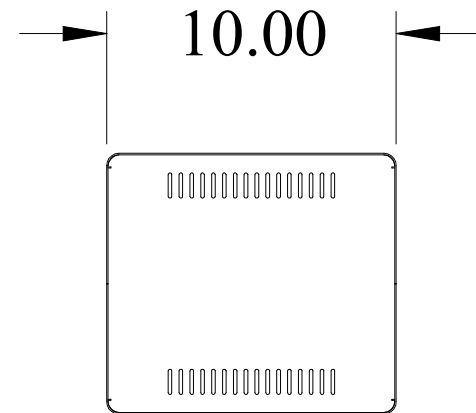
9.00

FRONT



12.00

SIDE



10.00

REAR