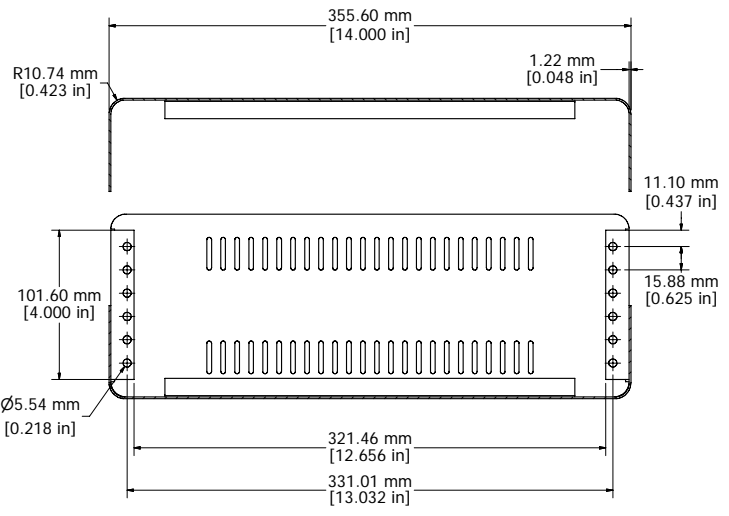
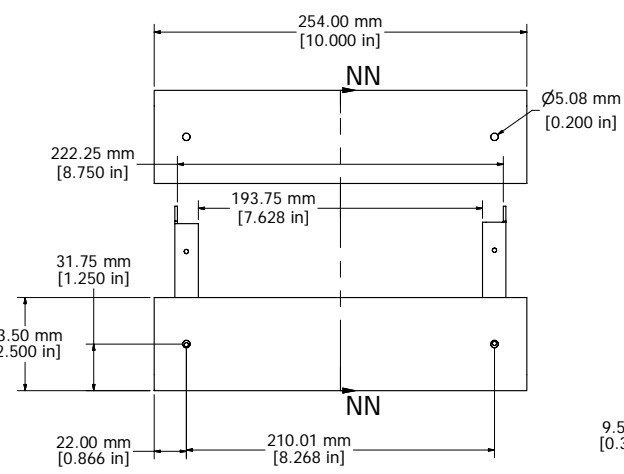


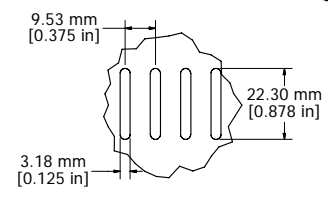
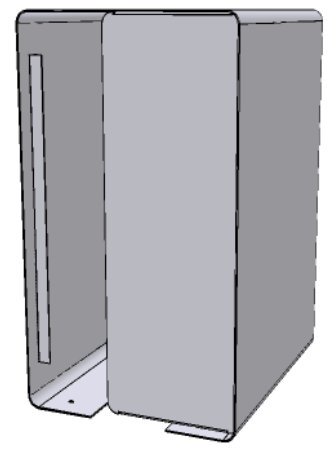
8 7 6 5 4 3 2 1



SECTION NN-NN



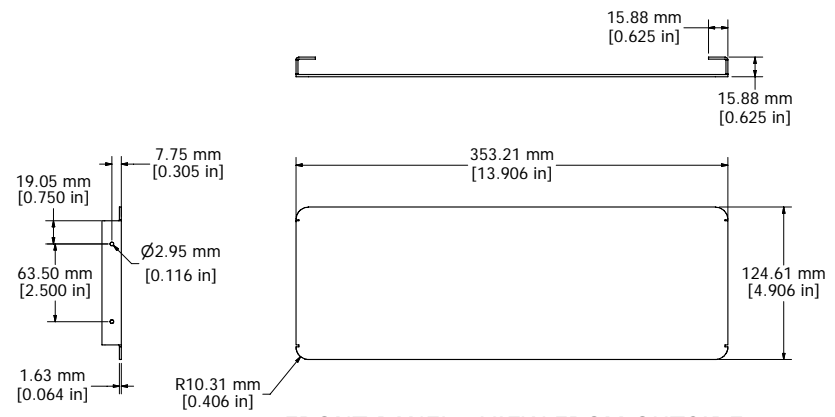
ASSEMBLY - VIEW FROM SIDE (OPEN)



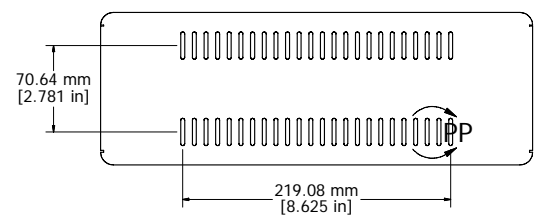
DETAIL PP

- 20 GAUGE STEEL BODY PAINTED (RAL 7032)
- EIGHT 6-32 NICKEL PLATED SCREWS
- 0.064" THICK ALUMINUM PANELS PAINTED (FRONT PANEL RAL 7011, REAR PANEL RAL 7032)
- FOUR SELF ADHESIVE RUBBER FEET
EXTRA SCREWS - 1421J6 (6-32 x 1/4 SHEET METAL SCREWS)

Contact Factory mjm@hammondmfg.com for quotes
 Enclosures can be Factory Modified (Milling, Drilling, Printing etc.)
 Solid models of this enclosure available in STEP or IGES.



FRONT PANEL - VIEW FROM OUTSIDE



REAR PANEL - VIEW FROM OUTSIDE



**HAMMOND
MANUFACTURING™**

1401P

www.hammondmfg.com

8 7 6 5 4 3 2 1