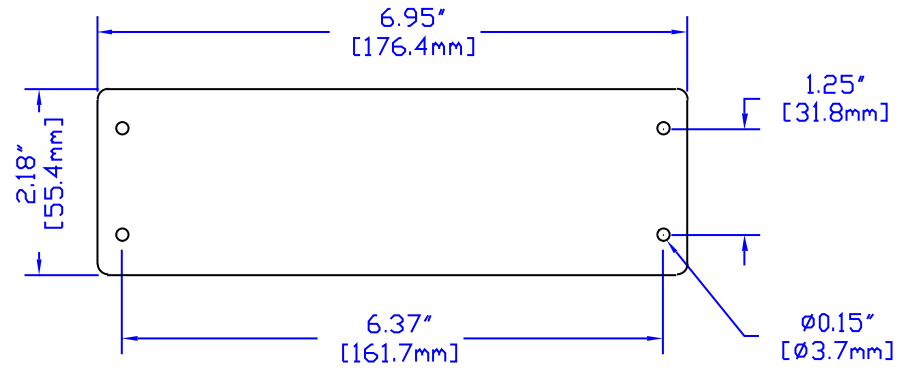
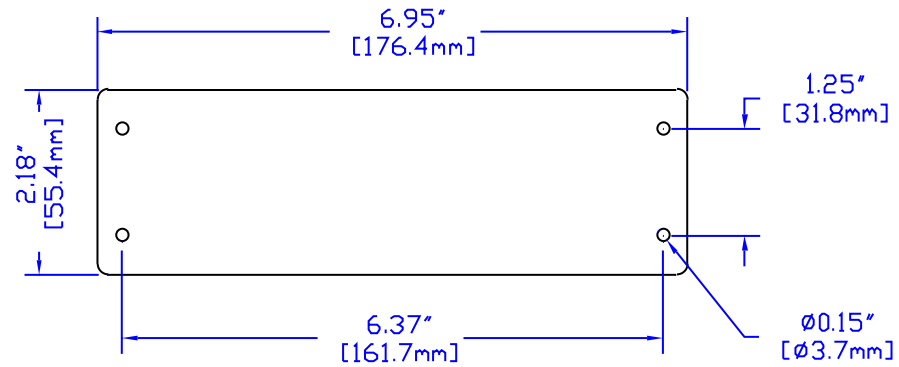


NOTES

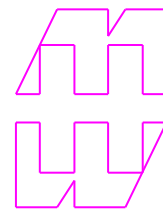
MATERIAL - 0.64" THICK ALUMINUM PANELS



FRONT PANEL



REAR PANEL



HAMMOND MANUFACTURING

1402B-Instrument

SHEET 2 OF 3

CANADA - PH (519) 886 7170 - FAX (519) 886 8311
U.S.A. - PH (716) 631 5700 - FAX (716) 631 1156