

# 1422 MD Series Multiple Door Enclosures - NEMA 12

## Continuous Hinge, Padlockable Doors

Industrial Enclosures

Freestanding Enclosures



**Inner  
Panel  
Included**



### Application

- Designed to house electrical, electronic, hydraulic or pneumatic controls and instruments.
- Provides a degree of protection from falling dirt, dust, oil and water.

### Standards

- UL 508 Type 12
- CSA Type 12
- **Complies with**
  - NEMA Type 12
  - JIC EGP-1-1967
  - IEC 60529, IP54

### Construction

- Formed 10 gauge steel.
- Smooth, continuously welded seams without knockouts, cutouts or holes.
- Heavy duty body stiffeners are provided for extra rigidity.
- Reinforced eyebolts are provided for easy enclosure lifting.
- Double door openings have gasketed overlapping doors, eliminating the need for a center post.
- Continuously hinged doors may be removed by pulling the hinge pin.
- Doors are secured with a three point latch and operated with a vault type padlocking handle.

### Construction...cont'd

- Latch rods are equipped with rollers for easier door closing.
- Oil resistant gaskets are permanently secured.
- Removable 10 gauge inner panels are included in the enclosures.
- 3 door units have 2 panels (34" x 78" and 70" x 78").
- 4 door units have 2 panels (70" x 78" each).
- 5 door units have 3 panels (one 34" x 78" and two 70" x 78").
- Slave doors have mechanical interlock and cannot be opened unless the master door is open.
- Panel supports are provided in enclosures for easy panel installation.
- Collar studs are provided for mounting inner panels.
- A grounding stud is provided in the enclosure for each door and a bonding stud is provided on the door.
- A literature pocket is provided for the inside of the door.

### Finish

- Cover and enclosure are finished in recoatable smooth ANSI 61 gray powder coating on the outside, with white powder coating on the inside.
- Removable inner panels are finished in white powder coating.

### Accessories

- Air conditioners...*see page 349-367*
- Blowers...*see page 392*
- Breather kits...*see page 400-401*
- Door stop kit...*see page 453*
- Filter fans...*see page 371-384*
- Gland Plates...*see page 446*
- Heaters...*see page 393-396*
- Light kit...*see page 452*
- Louvered ventilating plates  
...*see page 402*
- Thermostats...*see page 397*
- Window kits...*see page 449*

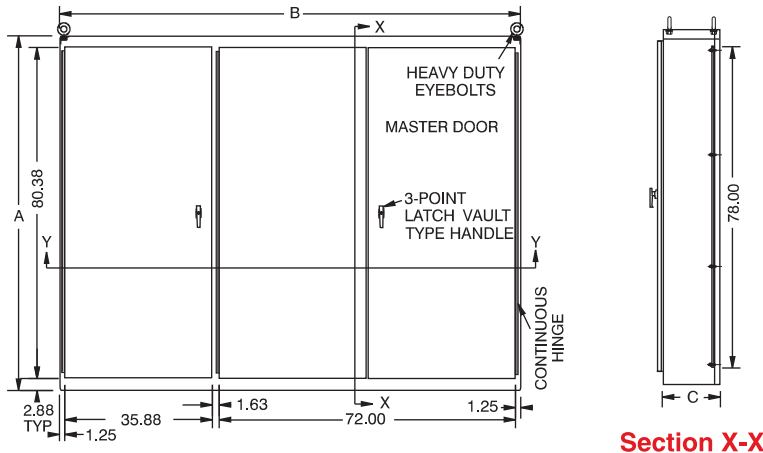
Part No.	A	B	C	Ship Wt. lbs.
<b>1422MD3</b>	86.12	112.00	14.12	1850
<b>1422MD320</b>	86.12	112.00	20.12	1946
<b>1422MD4</b>	86.12	149.12	14.12	2270
<b>1422MD420</b>	86.12	149.12	20.12	2383
<b>1422MD5</b>	86.12	187.00	14.12	2900
<b>1422MD520</b>	86.12	187.00	20.11	3030

Technical references and CAD downloads available at [www.hammondmfg.com](http://www.hammondmfg.com)

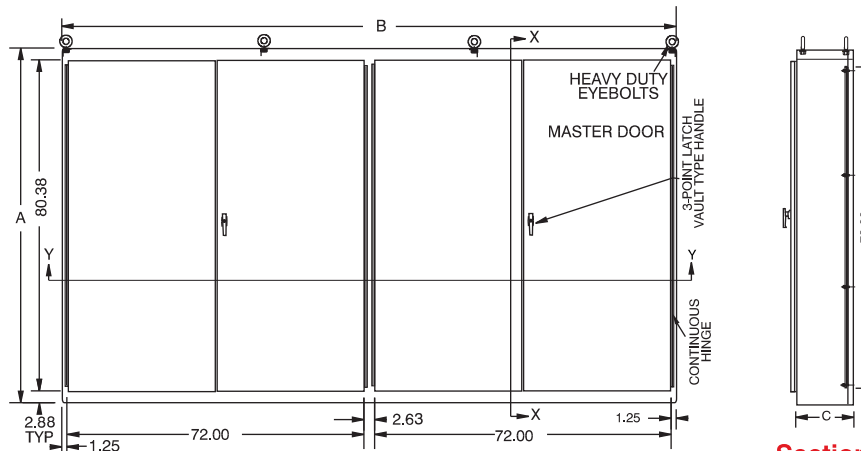
All dimensions in inches unless specified otherwise

# 1422 MD Series Multiple Door Enclosures - NEMA 12

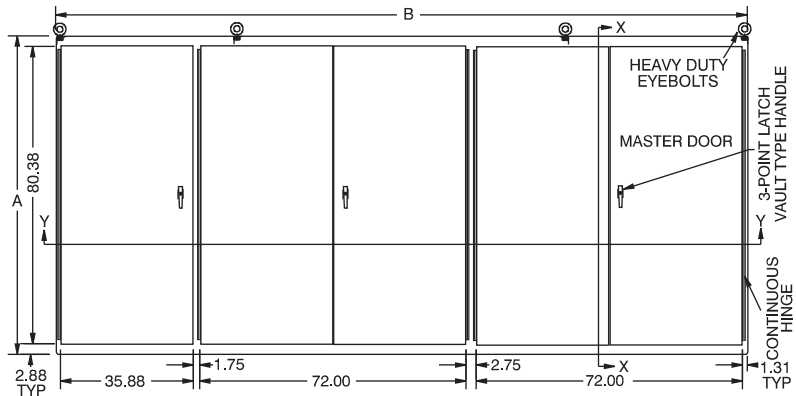
Continuous Hinge, Padlockable Doors



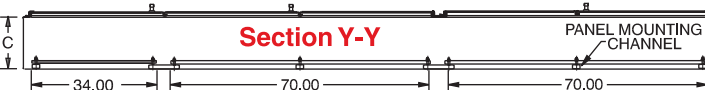
**Section X-X**



**Section X-X**



**Section X-X**



Technical references and CAD downloads available at [www.hammondmfg.com](http://www.hammondmfg.com)

All dimensions in inches unless specified otherwise

**Quality Products. Service Excellence.**