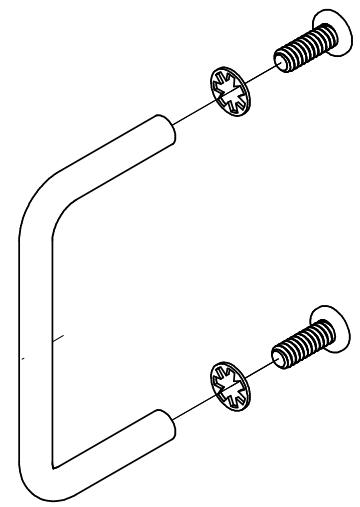
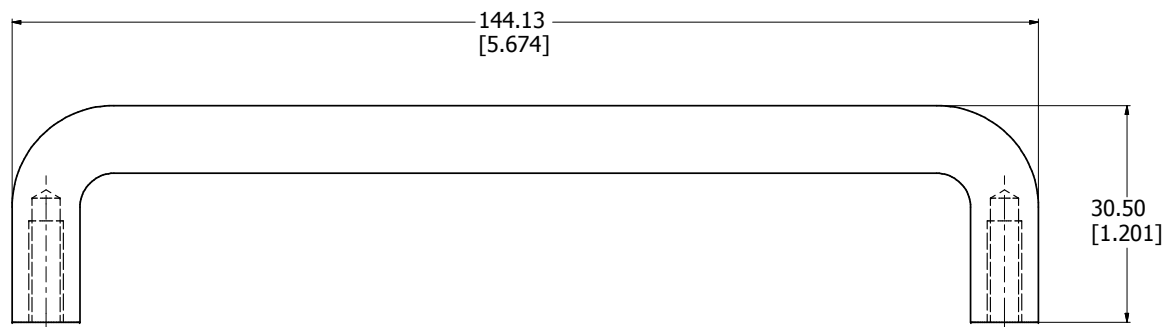
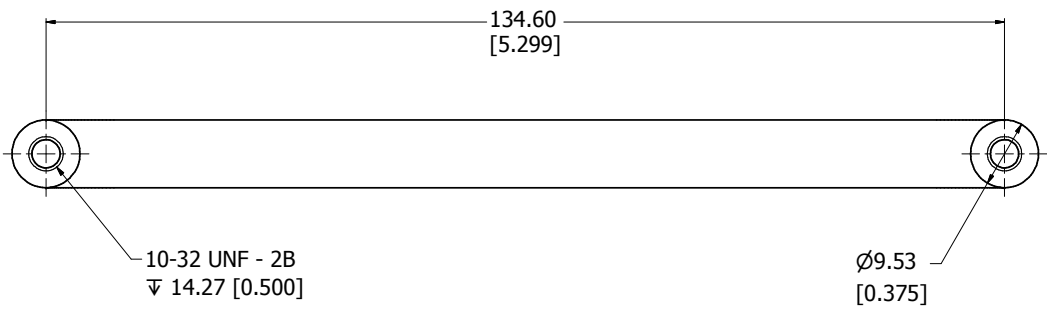


8 7 6 5 4 3 2 1



TYPICAL HANDLE ASSEMBLY



<b>1427M</b>
Handle Material - CR Steel
Finish - Bright Chrome Plated
Hardware
2 Screws - Panhead 10-32 x 1/2"
2 Internal Tooth Lockwashers
**note handle sold singly



HAMMOND  
MANUFACTURING™

1427M

8 7 6 5 4 3 2 1