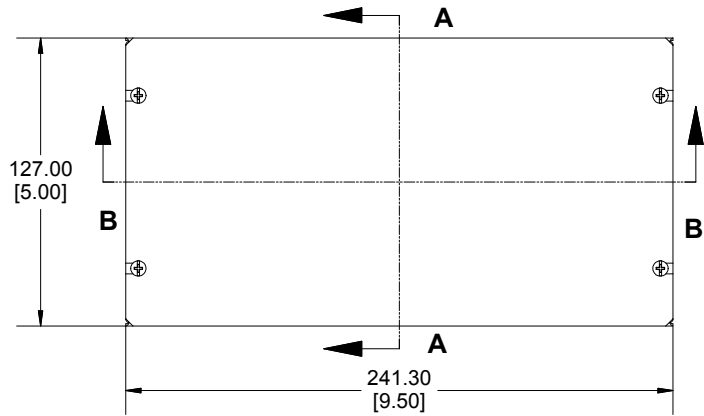
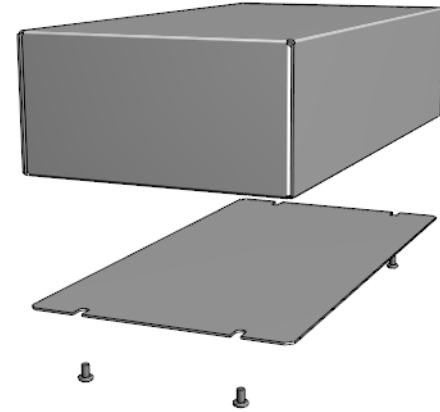
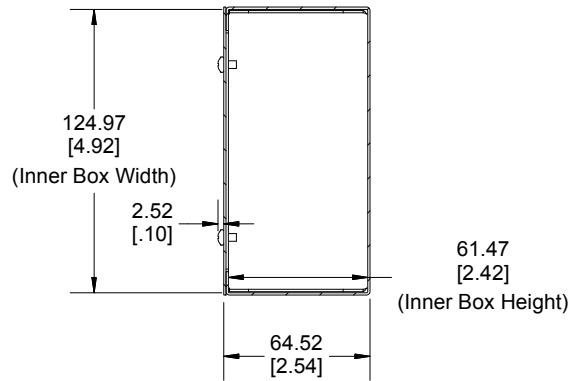


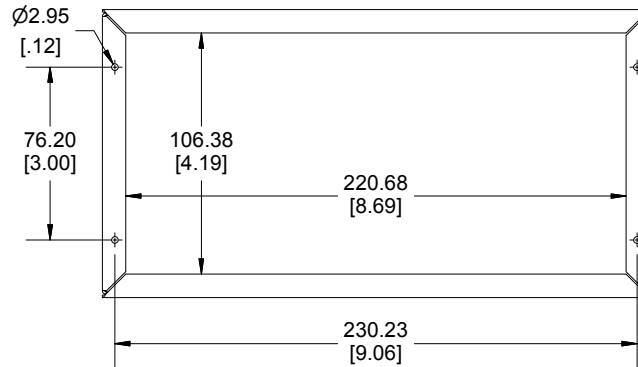
**Bottom View of Assembly**



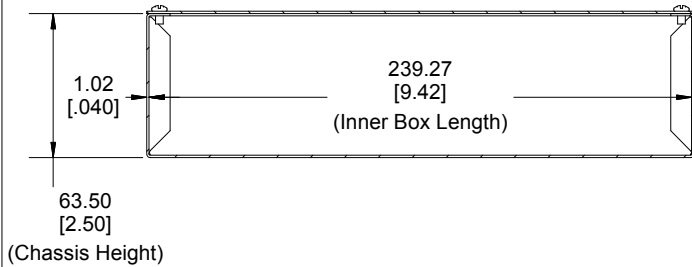
**SECTION A-A  
End View of Assembly**



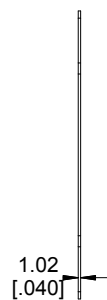
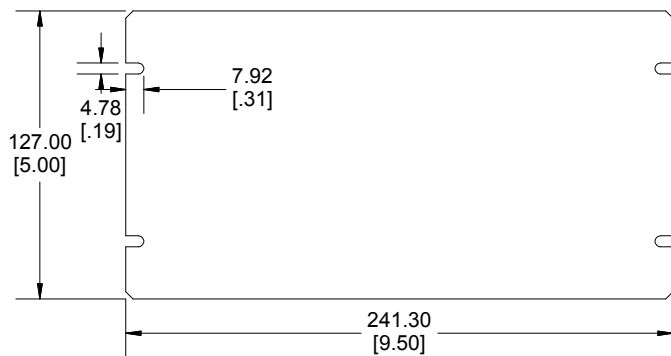
**Bottom View of Chassis  
(Sold Separately)**



**SECTION B-B  
Side View of Assembly**



**Bottom Plate  
(Sold Separately)**



Enclosures can be Factory Modified ( Milling, Drilling, Printing etc.)  
Contact Factory [mjm@hammondmfg.com](mailto:mjm@hammondmfg.com) for quotes  
Solid models of this enclosure available in STEP or IGES.

**NOTE**

All Components Sold Separately  
Chassis is Made of 0.040" Aluminum.  
Bottom Plate is Made of 0.040" Aluminum.

**PART NUMBERS**

1444-95525 Enclosure

Natural Finish Chassis	1444-95525
------------------------	------------

**ACCESSORIES**

Natural Finish Bottom Plate	1434-955
-----------------------------	----------

Plated Cover Screws (Pkg 6)	1421J6
-----------------------------	--------

[6-32 x 1/4" Self-Tapping Screws]	
-----------------------------------	--

**HAMMOND  
MANUFACTURING™**  
1444-95525  
www.hammondmfg.com

Dimensions:  
mm  
[inches]