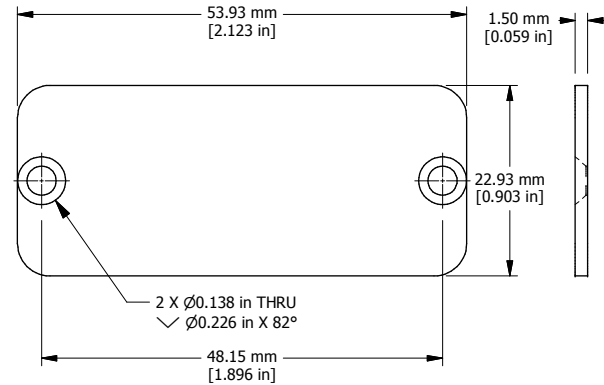
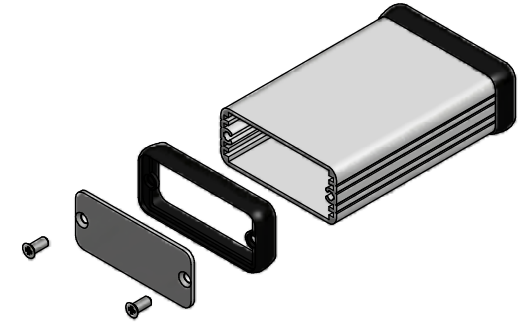


EXTRUSION



END PLATE

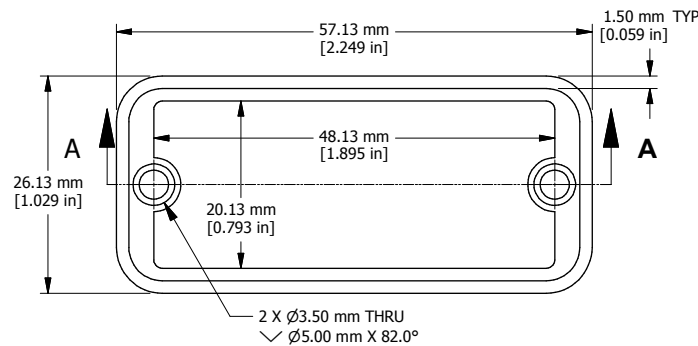


EXPLODED ASSEMBLY VIEW

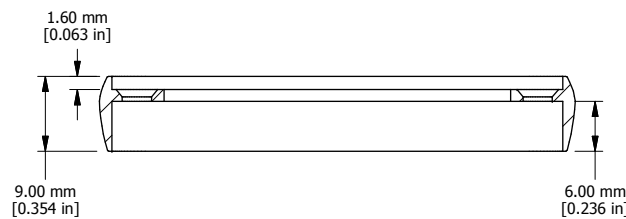
B

B

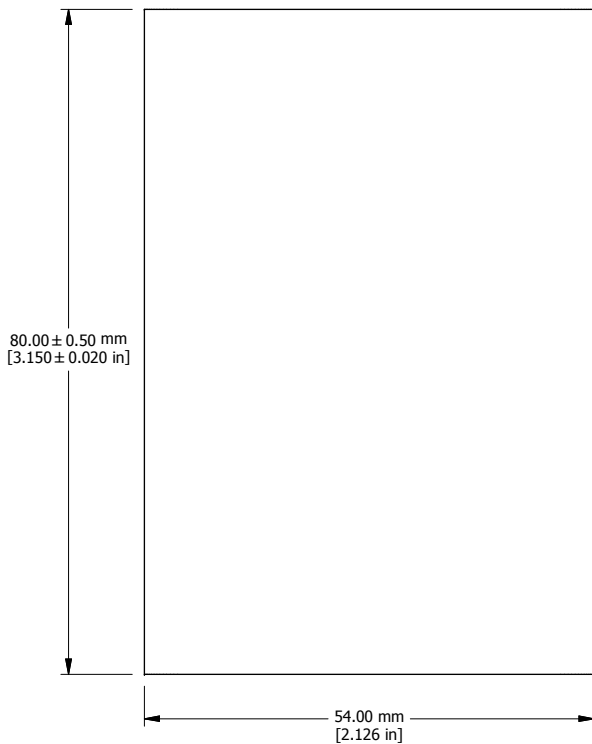
\*\*EXTRUSION DESIGN FOR 50MM WIDE PC BOARD\*\*



OPEN BEZEL

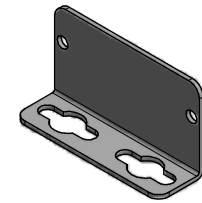


SECTION A-A



A

A



OPTIONAL FLANGE END PANELS  
1455CF

Enclosures can be Factory Modified ( Milling, Drilling, Printing etc.)  
Solid models of this enclosure available in STEP or IGES.  
Contact Factory [mjm@hammondmfg.com](mailto:mjm@hammondmfg.com)

**NOTE**

Purchased assembly includes box, plastic bezels, end panels, #6  
Taptight screws and self adhesive rubber feet.  
Box made from Extruded Aluminum 6063.  
Bezels made with polycarbonate.

**1455C801**

**PART NUMBERS**

Clear Anodized	1455C801
Black Anodized	1455C801BK
Blue Anodized	1455C801BU
Red Anodized	1455C801RD

**ACCESSORIES**

See website for accessories.