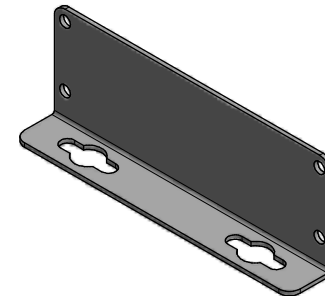
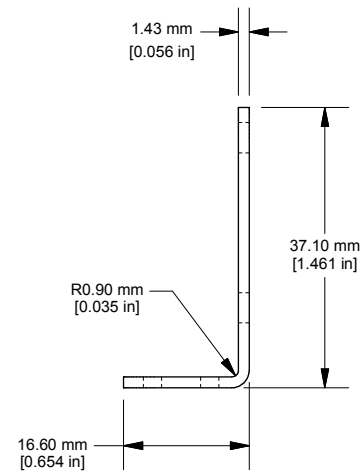
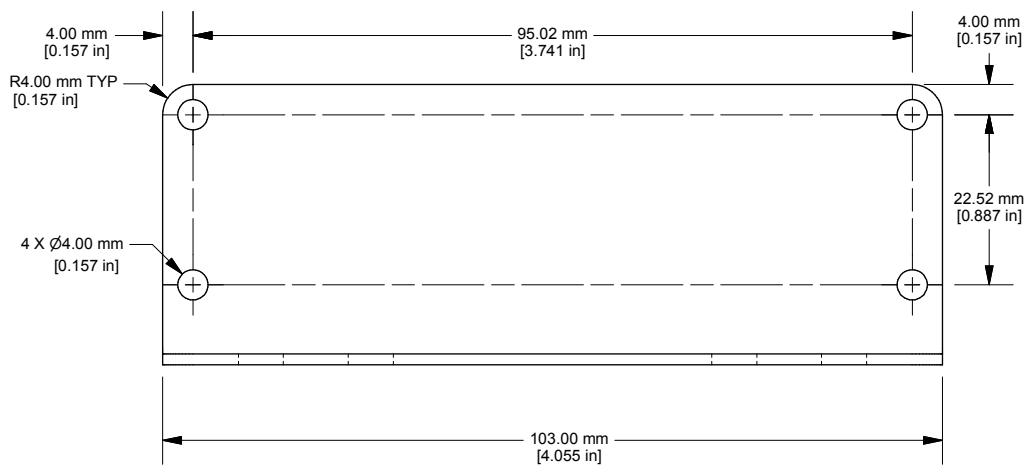


2

1

B

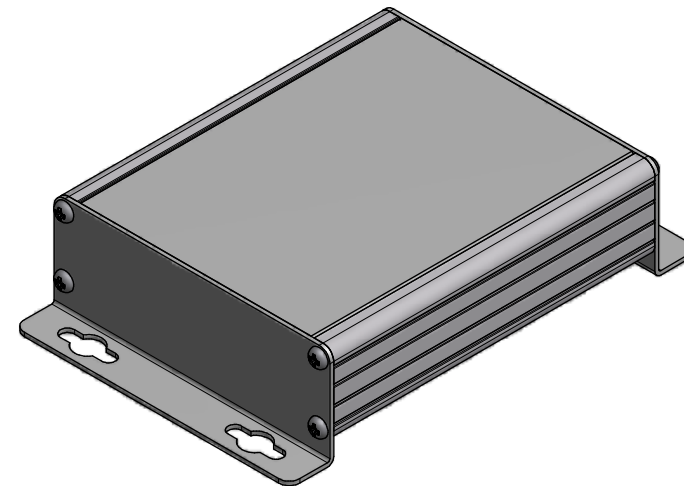
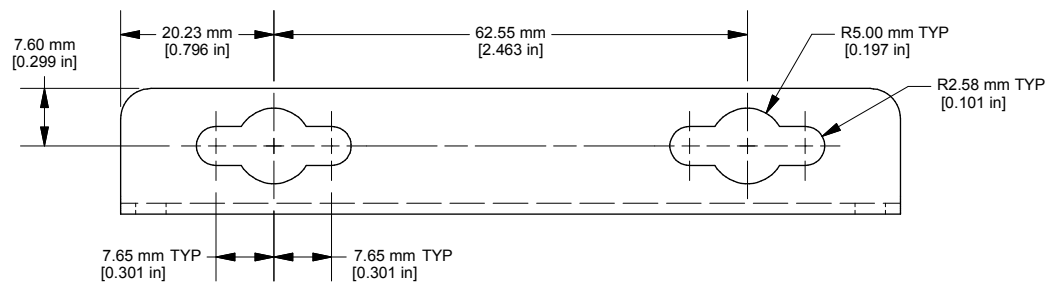
B



FLANGE

A

A



ASSEMBLY WITH FLANGES

2

1



HAMMOND
MANUFACTURING™

1455LF

www.hammondmfg.com