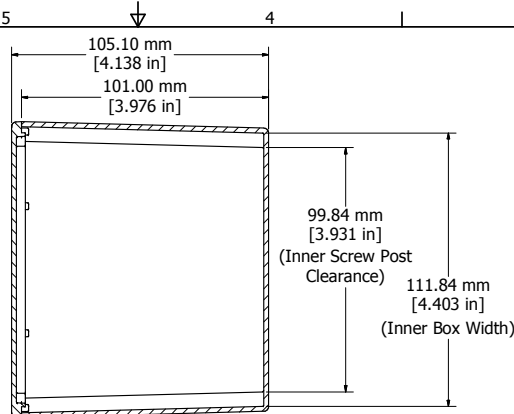
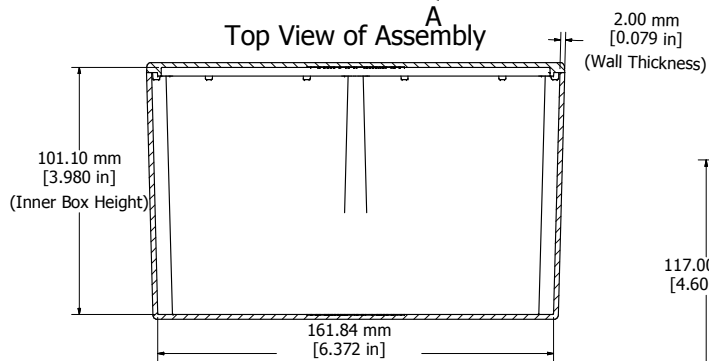
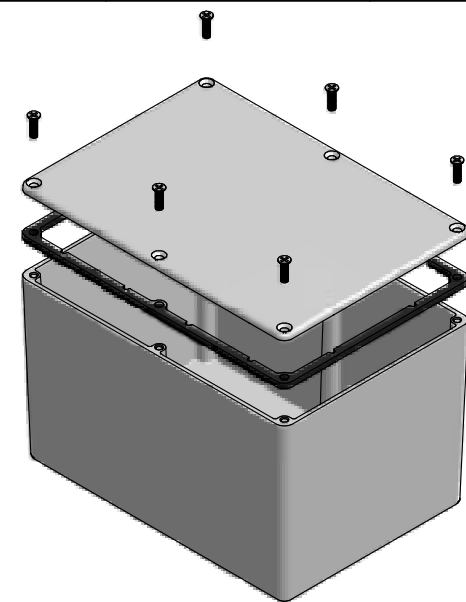


Top View of Assembly

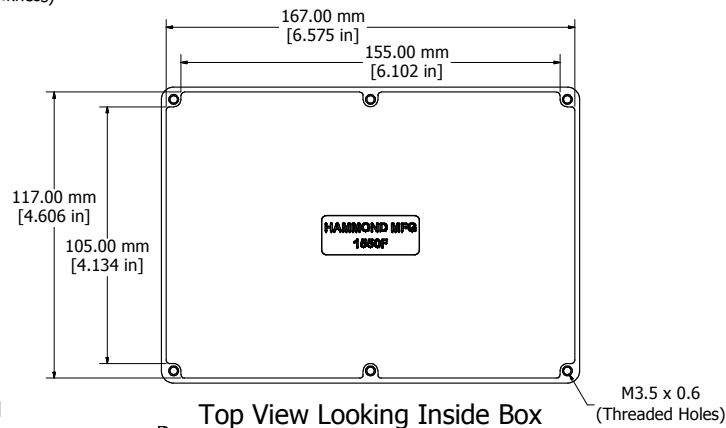


SECTION A-A
End View of Assembly

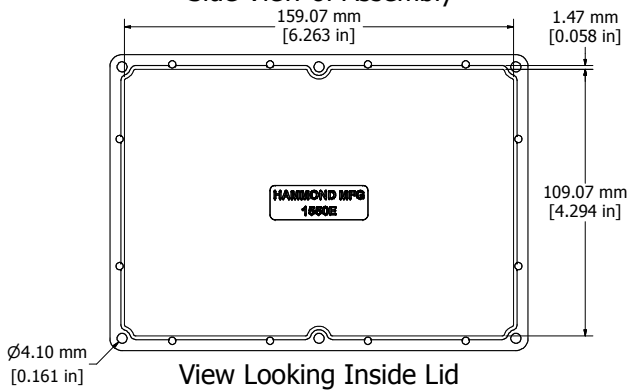


SECTION B-B

Side View of Assembly



Top View Looking Inside Box



View Looking Inside Lid

Enclosures can be Factory Modified (Milling, Drilling, Printing etc.)
Contact Factory mjm@hammondmfg.com for quotes
Solid models of this enclosure available in STEP or IGES.

NOTE

Purchased assembly includes box, lid, and 6 cover screws.
Box and lid are made from Diecast Aluminum Alloy.
EVA Foam Gasket supplied with Liquid Resistant Enclosures

PART NUMBERS

1550F Enclosure	
Unfinished	1550F
Black Textured Polyester Powder Paint	1550FBK
1550WF Liquid Resistant Enclosure (Silicon Factory Installed Gasket)	
Unfinished	1550WF
Black Textured Polyester Powder Paint	1550WFBK
Accessories	
Recommended Torque: 75 ozf.in / 55 cN.m	
Unfinished Cover Screws (Pkg 100) [M3.5 x 0.6 18-8 SS]	1550MS100
Black Cover Screws (Pkg 100) [M3.5 x 0.6 18-8 SS]	1550MS100BK

