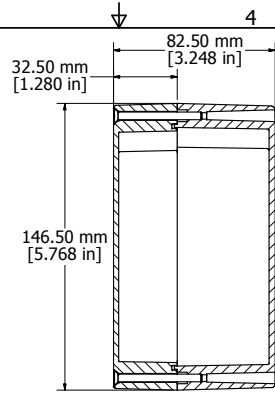
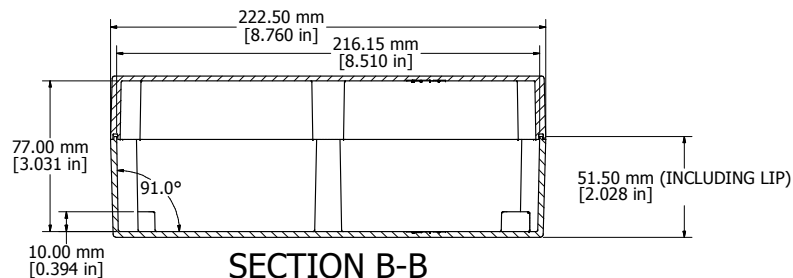
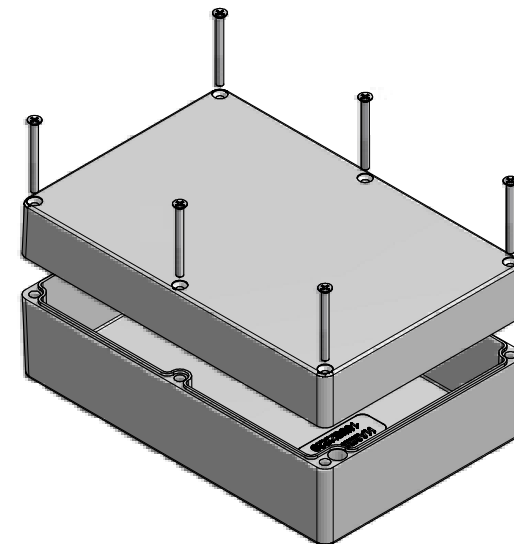


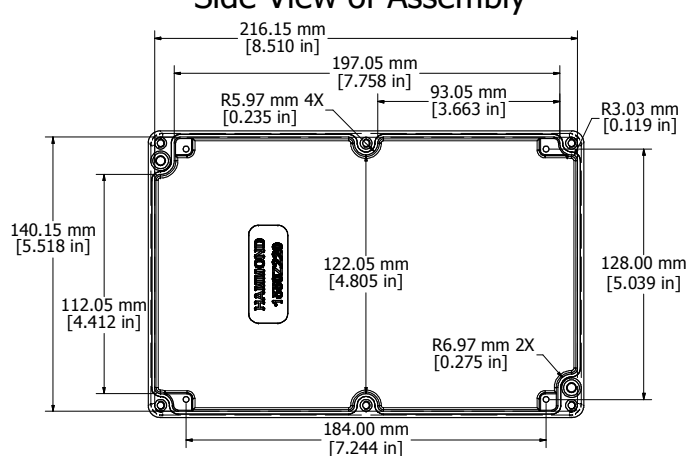
ASSEMBLY



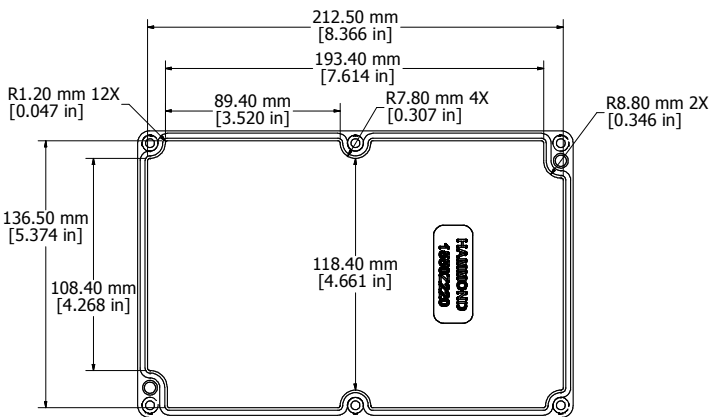
SECTION A-A
End View of Assembly



SECTION B-B
Side View of Assembly



Top View Looking Inside Box



View Looking Inside Lid

Enclosures can be Factory Modified (Milling, Drilling, Printing etc.)
Contact Factory mjm@hammondmg.com for quotes
Solid models of this enclosure available in STEP or IGES.

NOTES

Purchased assembly includes enclosure, M4x45 lid screws	
Gasket - Pre-formed Silicone Rubber	
Cover screws should be torqued to 5-7.5 lbf.in (50-75 cN.m)	

1550Z220

PART NUMBERS

Unfinished	1550Z220
Black Textured Powder Paint - RAL 9011	1550Z220BK



1550Z220

www.hammondmg.com