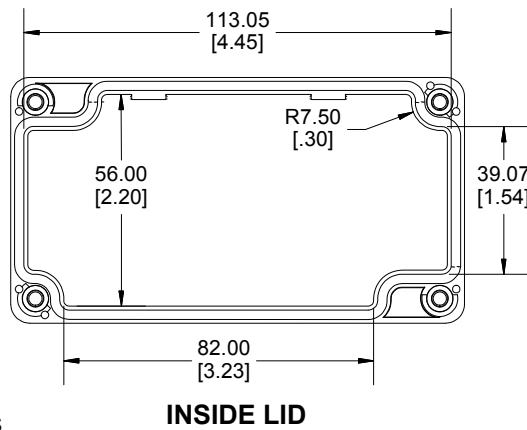
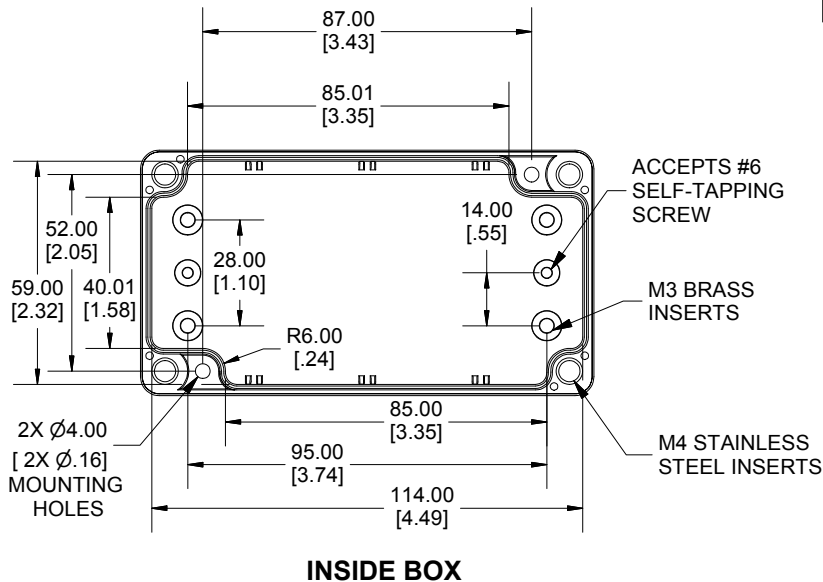
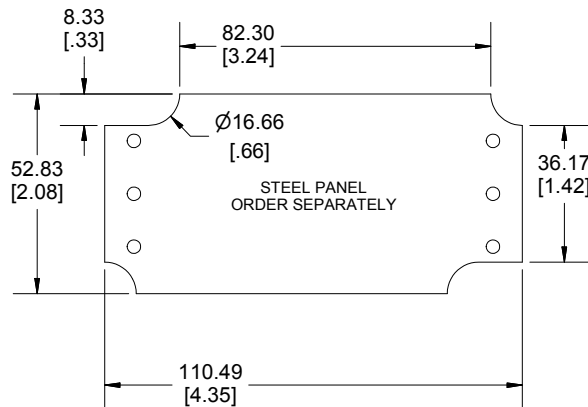
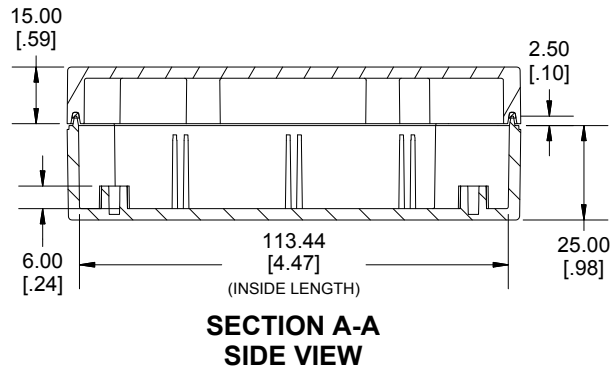


POLYCARBONATE
VERSION ONLY
 **US LISTED**
 FILE #E65324
 NEMA 4, 4X



Enclosures can be Factory Modified (Milling, Drilling, Printing etc.)
 Contact Factory mjm@hammondmgf.com for quotes
 Solid models of this enclosure available in STEP or IGES.
 (Part number and text placement/orientation on our products are subject to change,
 we do not recommend using them as a locating reference for modification purposes)

NOTE
 Purchased assembly includes box, lid, 4 cover screws, and preformed silicone gasket.
 General Purpose ABS version is not UL approved. (Matl UL94 - HB)
 Polycarbonate version is UL 508 approved. (Matl UL94 - 5VA @ 3mm)
Recommended Cover screw torque -- 2.5 lbf-in (30 cN-m)

| 1554C | |
|---|-------------|
| 1554C Regular Enclosure | |
| General Purpose ABS RAL-7035 | 1554CGY |
| Polycarbonate RAL-7035 | 1554C2GY |
| 1554C Clear / Smoke Lid Enclosure | |
| Polycarbonate Box / Clear Polycarbonate Lid | 1554C2GYCL |
| Polycarbonate Box / Smoke Polycarbonate Lid | 1554C2GYSL |
| ACCESSORIES | |
| Steel Inner Panels | 1554CPL |
| Steel Panel / P.C. Board Machine Screw [M3 x 8mm Plated] | 1591MM100 |
| Steel Panel / P.C. Board Self Tapping Screw [#6 X 1/4" (6.4mm) Plated] | 1598ATS100 |
| Cover Screws (Pkg 4) [M4 X 20mm Stainless Steel] | SC1554 |
| Silicone Pre-formed Gasket Black | 1554CGASKET |

Dimensions:
mm
[inches]

 **HAMMOND
MANUFACTURING®**
1554C
www.hammondmgf.com