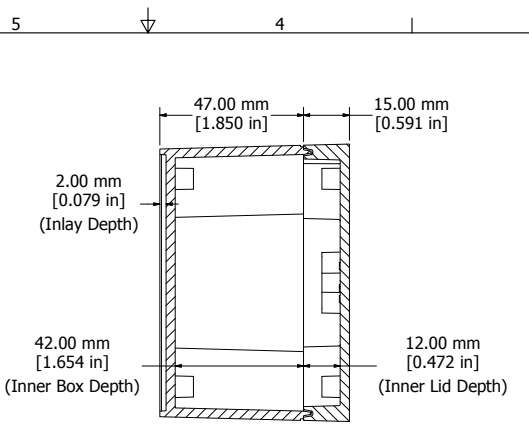
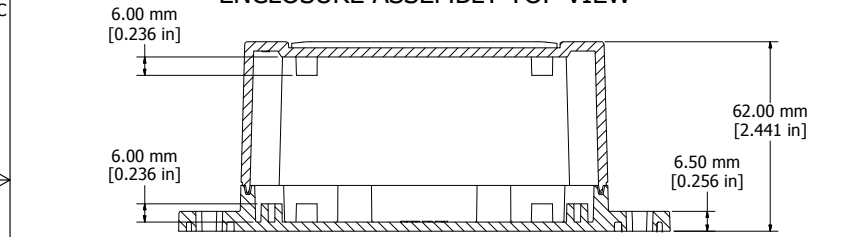


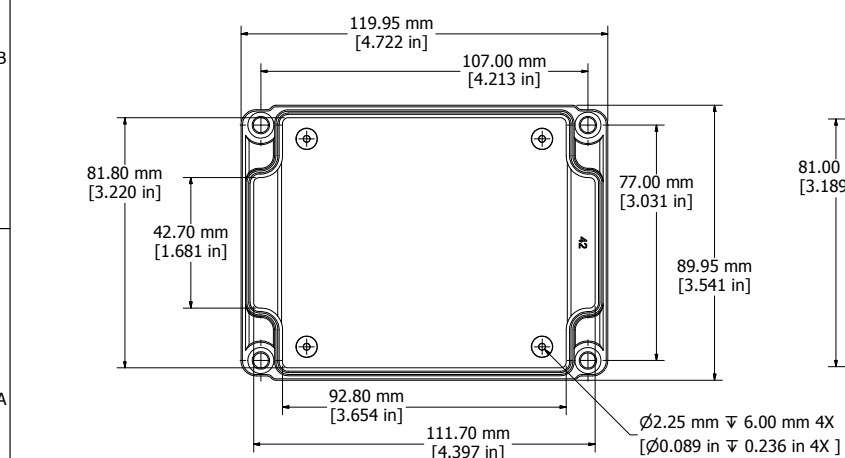
ENCLOSURE ASSEMBLY TOP VIEW



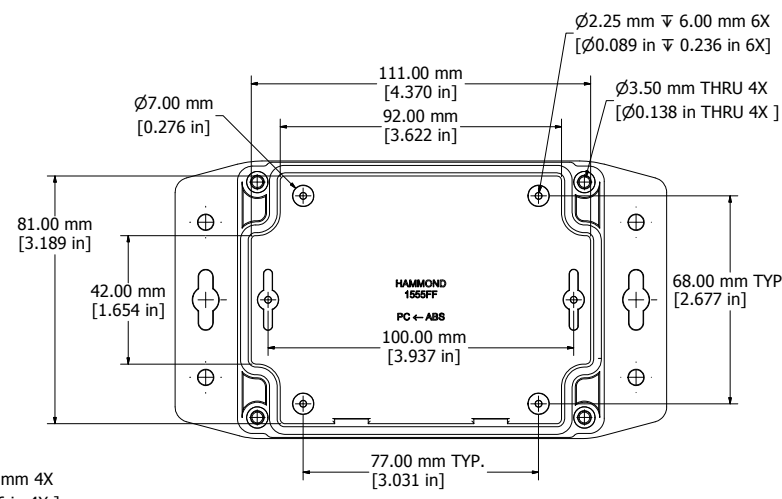
SECTION A-A
END VIEW OF ASSEMBLY



SECTION B-B (SIDE VIEW OF ASSEMBLY)



BOX INSIDE VIEW



FLANGED LID INSIDE VIEW

Enclosures can be Factory Modified (Milling, Drilling, Printing etc.)
Solid models of this enclosure available in STEP or IGES.
Contact Factory rjm@hammondmfg.com

NOTE	
Purchased assembly includes Box, Lid, 4 x M4 x 20 SS Cover Screws & Preformed Silicone Gasket. Steel panel not included.	
Cover screws should be torqued to 2.5 lb-in (30 cN-m)	

1555FF42	
1555FF42 Flanged Enclosure	
General Purpose ABS RAL-7035 UL94-HB	1555FF42GY
Poycarbonate RAL-7035 UL94 - V0 / 5VA @ 3mm	1555F2F42GY
ACCESSORIES	
Heavy Duty 16 Gauge Galvanized Steel Panels	1555FFPL
Steel Panel / P.C. Board Self Tapping Screw [#4 X 1/4" (6.4mm) Nickel Plated]	1555TS100
Cover Screws (Pkg 4)	SC1554
[M4 X 20mm Type 304 Stainless Steel]	

HAMMOND MANUFACTURING™
1555FF42
www.hammondmfg.com