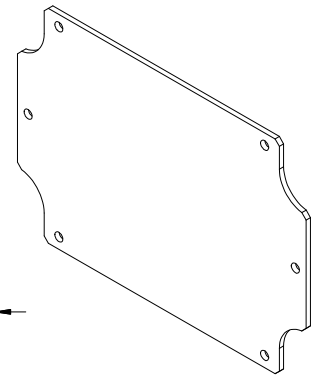


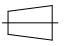


1.63 mm
[.064 in]



MATERIAL: GALVANIZED 16 GA. STEEL PLATE

DWN		 HAMMOND MANUFACTURING CO. LTD. 485 Conestogo Road Waterloo, Ontario, N2L 4C9, Canada
DATE	OCT/2011	
CHK		THIS DRAWING IS PROPRIETARY INFORMATION OF HAMMOND MFG. CO. LTD. NOT TO BE USED WITHOUT EXPRESSED WRITTEN PERMISSION OF HAMMOND MFG. CO. LTD.
MAT'L		
SHEET		
 		1555FFPL