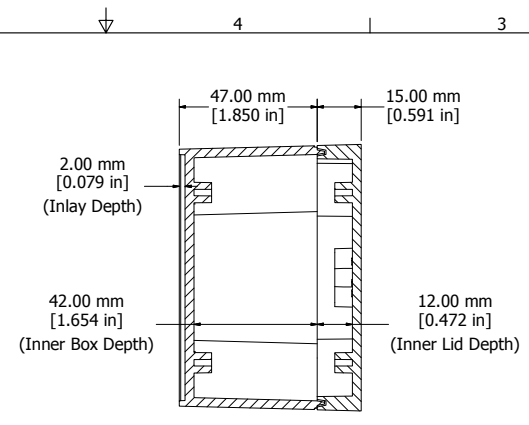
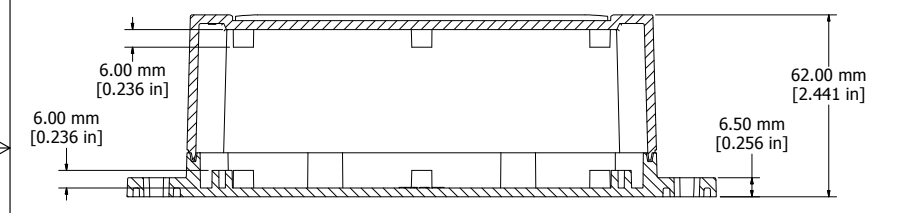


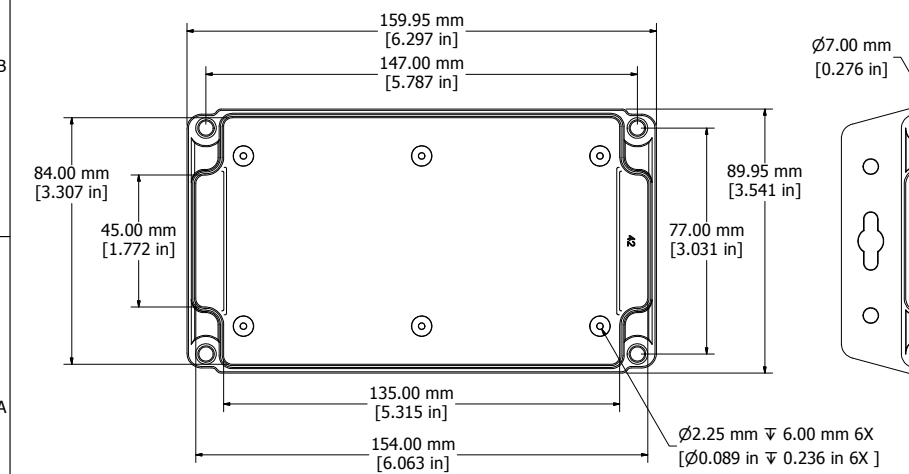
ENCLOSURE ASSEMBLY TOP VIEW



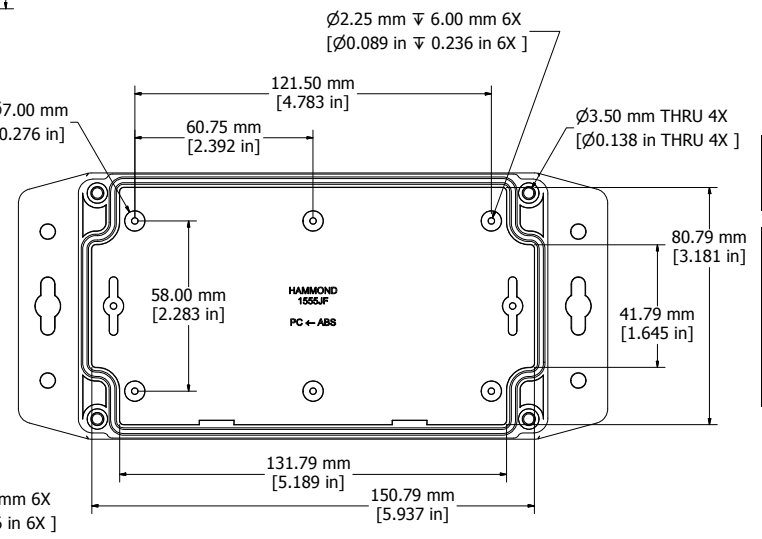
SECTION A-A
END VIEW OF ASSEMBLY



SECTION B-B (SIDE VIEW OF ASSEMBLY)



BOX INSIDE VIEW



FLANGED LID INSIDE VIEW

Enclosures can be Factory Modified (Milling, Drilling, Printing etc.)
Solid models of this enclosure available in STEP or IGES.
Contact Factory mjm@hammondmfg.com

| NOTE | |
|--|--|
| Purchased assembly includes Box, Lid, 4 x M4 x 20 SS Cover Screws & Preformed Silicone Gasket. Steel panel not included. | |
| Cover screws should be torqued to 2.5 lb-in (30 cN-m) | |

| 1555JF42 | |
|---|-------------|
| 1555JF42 Flanged Enclosure | |
| General Purpose ABS RAL-7035 UL94-HB | 1555JF42GY |
| Poycarbonate RAL-7035 UL94 - V0 / 5VA @ 3mm | 1555J2F42GY |
| ACCESSORIES | |
| Heavy Duty 16 Gauge Galvanized Steel Panels | 1555JFPL |
| Steel Panel / P.C. Board Self Tapping Screw (#4 X 1/4" (6.4mm) Nickel Plated) | 1555TS100 |
| Cover Screws (Pkg 4) | SC1554 |
| [M4 X 20mm Type 304 Stainless Steel] | |

HAMMOND MANUFACTURING™
1555JF42
www.hammondmfg.com