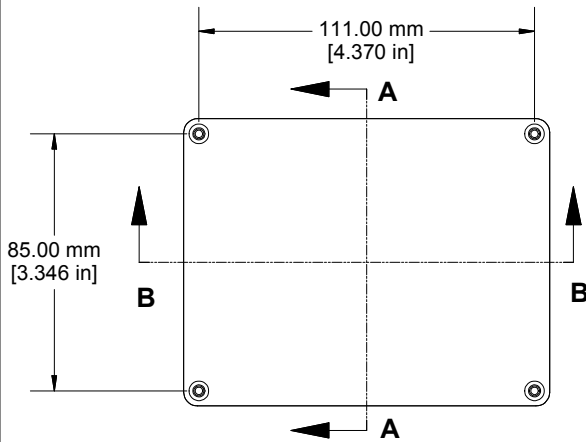
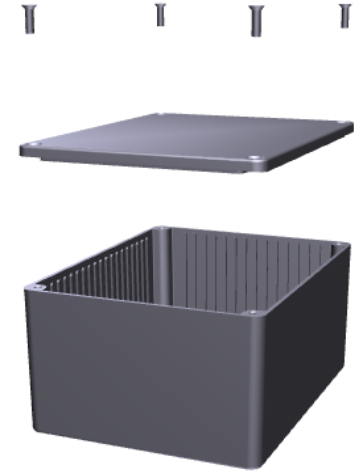
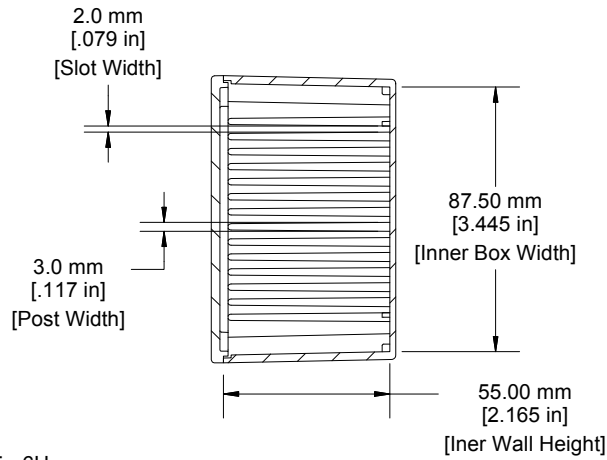


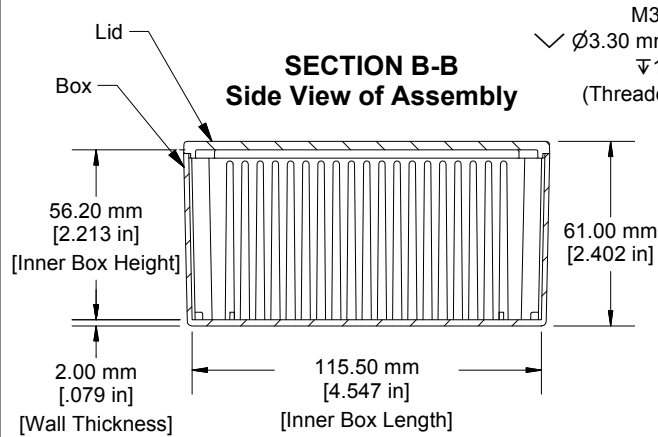
**Top View of Assembly**



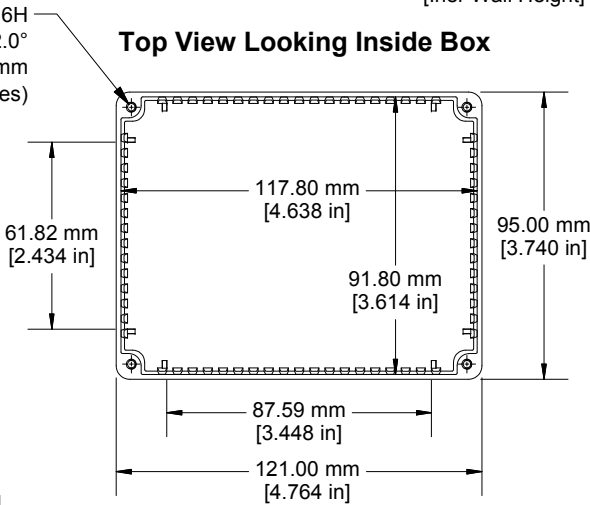
**SECTION A-A  
End View of Assembly**



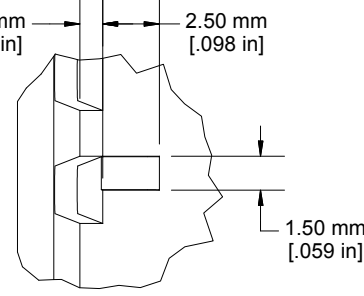
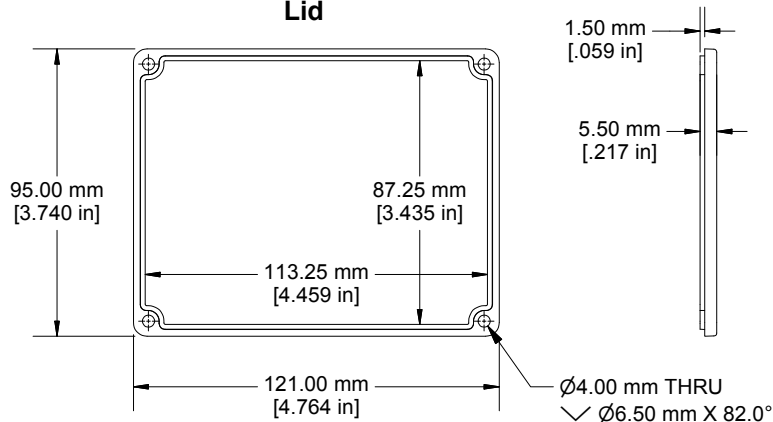
**SECTION B-B  
Side View of Assembly**



**Top View Looking Inside Box**



**Lid**



**DETAIL C  
SCALE 3 : 1  
Interior Features**

Enclosures can be Factory Modified ( Milling, Drilling, Printing etc.)  
Contact Factory [mjm@hammondmfg.com](mailto:mjm@hammondmfg.com) for quotes  
Solid models of this enclosure available in STEP or IGES.

NOTE	
Purchased assembly includes box, lid and 4 cover screws. Box and lid are made from Diecast Aluminum Alloy (alloy type 380).	
PART NUMBERS	
1590PP Enclosure	
Unfinished	1590PP
Black Textured Polyester Powder Paint - RAL 9011	1590PPBK
ACCESSORIES	
Recommended Torque: 75 ozf.in / 55 cN.m	
Unfinished Cover Screws (Pkg 100) [M3 - 0.5 x 10mm Nickel Plated Screws]	1591MS100
Black Textured Cover Screws (Pkg 100) [M3 - 0.5 x 10mm Nickel Plated Screws]	1591MS100BK



**HAMMOND  
MANUFACTURING™  
1590PP**

[www.hammondmfg.com](http://www.hammondmfg.com)