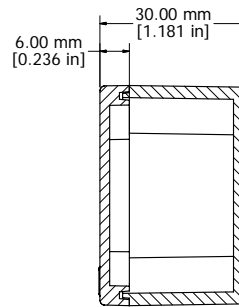
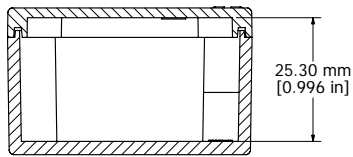


ASSEMBLY

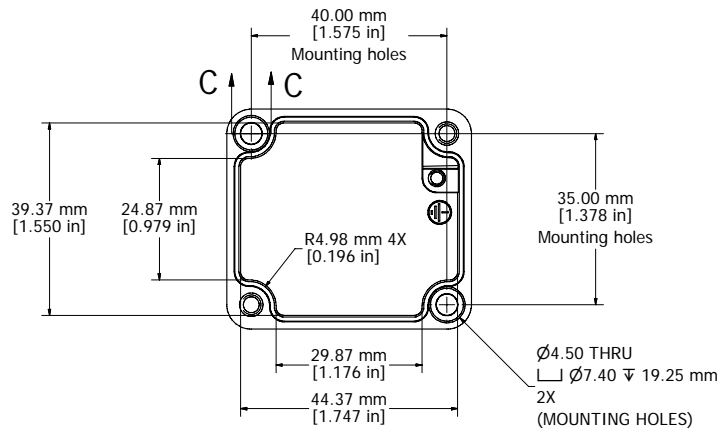


SECTION A-A

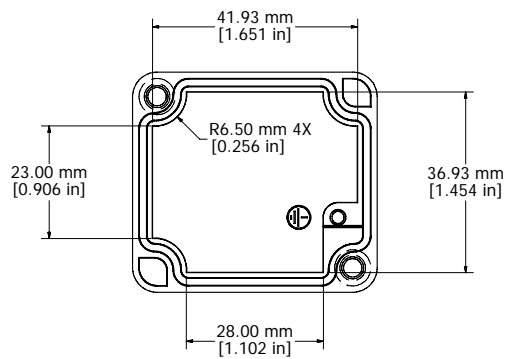
UL US LISTED
File #E65324
NEMA 4, 4X



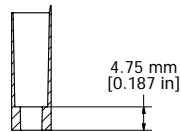
SECTION B-B



BOX - INSIDE



LID - INSIDE



SECTION C-C

Enclosures can be Factory Modified (Milling, Drilling, Printing etc.)
Contact Factory mjm@hammondmfg.com for quotes
Solid models of this enclosure available in STEP or IGES.

NOTES

Purchased assembly includes enclosure, M4x15 lid screws and M3x5 ground screws.	
Gasket - Pre-formed Silicone Rubber	
Cover screws should be torqued to 5-7.5 lbf.in (50-75 cN.m)	

1590Z060

PART NUMBERS

Basic Enclosure	1590Z060
Black Enclosure	1590Z060BK
Grey Enclosure - RAL7001 Gloss	1590Z060GY

HAMMOND MANUFACTURING™
1590Z060
www.hammondmfg.com