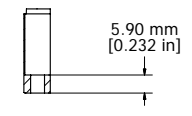
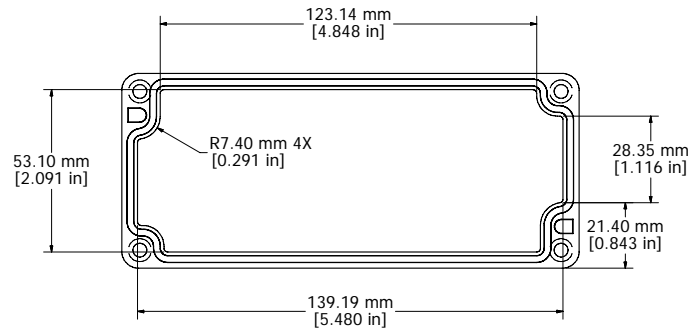
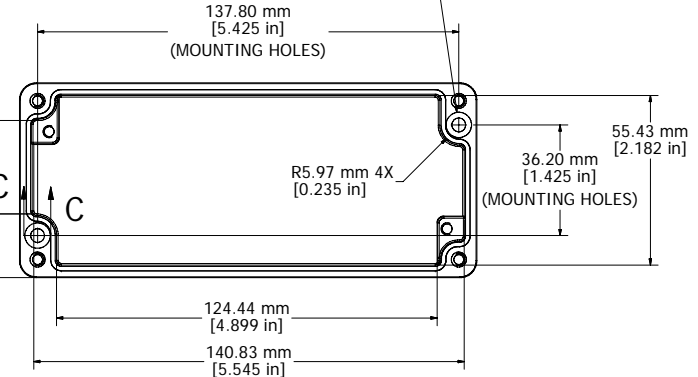
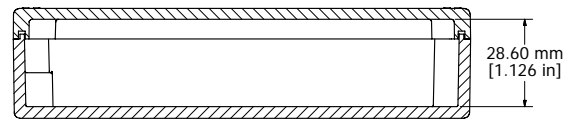


**UL** US LISTED  
 File #E65324  
 NEMA 4, 4X

Ø4.50 mm THRU  
 Ø8.30 mm ∇ 20.00 mm  
 2X  
 (MOUNTING HOLES)



Enclosures can be Factory Modified ( Milling, Drilling, Printing etc. )  
 Contact Factory [mjm@hammondmfg.com](mailto:mjm@hammondmfg.com) for quotes  
 Solid models of this enclosure available in STEP or IGES.

NOTES	
Purchased assembly includes enclosure, M4x20 lid screws and M4x6 ground screws.	
Gasket - Preformed Silicone Rubber	
Cover screws should be torqued to 5-7.5 lbf.in (50-75 cN.m)	

1590Z063	
PART NUMBERS	
Basic Enclosure	1590Z063
Black Enclosure	1590Z063BK
Grey Enclosure - RAL7001 Gloss	1590Z063GY

**HAMMOND MANUFACTURING™**

1590Z063

[www.hammondmfg.com](http://www.hammondmfg.com)