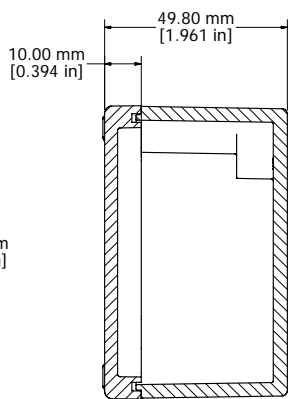
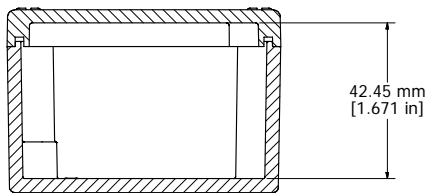


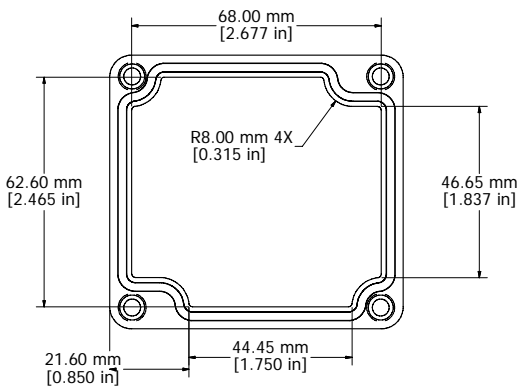
ASSEMBLY



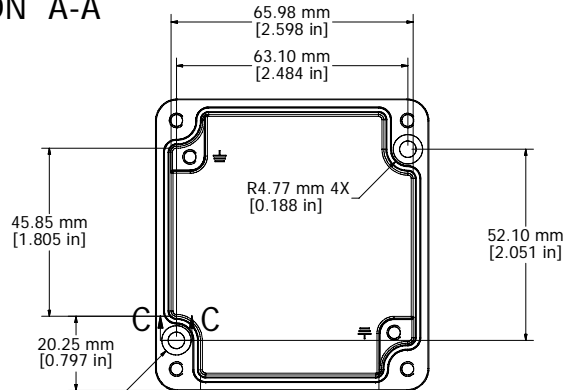
SECTION A-A



SECTION B-B

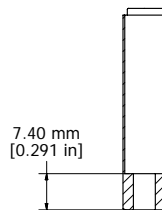


LID - INSIDE



BOX - INSIDE

Ø4.50 mm THRU
 L Ø8.00 mm ∇ 32.40 mm
 2X
 (MOUNTING HOLES)



SECTION C-C



File #E65324
 NEMA 4, 4X

Enclosures can be Factory Modified (Milling, Drilling, Printing etc.)
 Contact Factory mjm@hammondmfg.com for quotes
 Solid models of this enclosure available in STEP or IGES.

NOTES	
Purchased assembly includes enclosure, M4x25 lid screws and M4x6 ground screws.	
Gasket - Preformed Silicone Rubber	
Cover screws should be torqued to 10 lbf-in (120 cN-m)	

1590Z110	
PART NUMBERS	
Basic Enclosure	1590Z110
Black Enclosure	1590Z110BK
Grey Enclosure - RAL7001 Gloss	1590Z110GY

1590Z110
www.hammondmfg.com