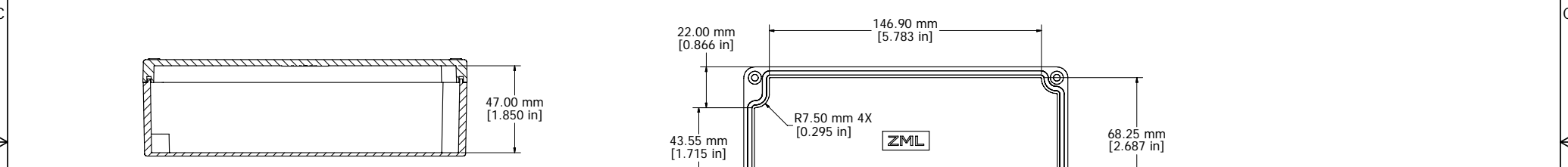


UL US LISTED
 File #E65324
 NEMA 4, 4X

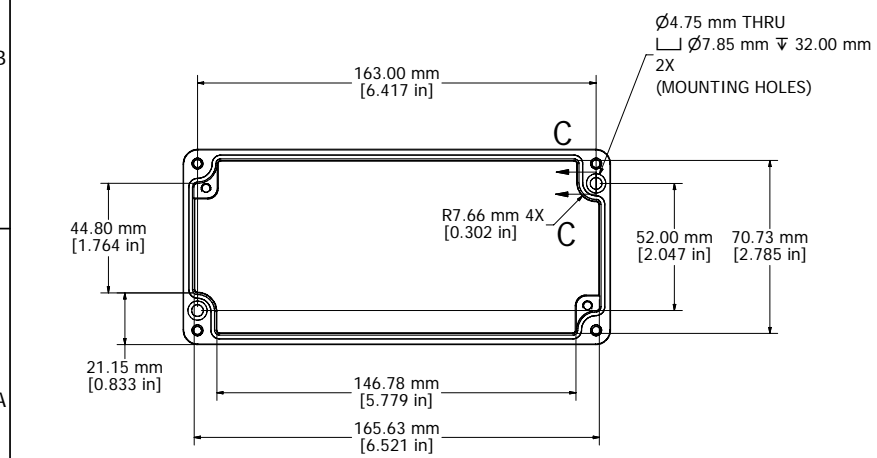
ASSEMBLY

SECTION A-A

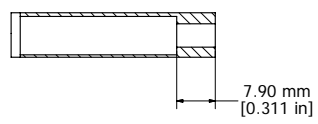


SECTION B-B

LID - INSIDE



BOX - INSIDE



SECTION C-C

Enclosures can be Factory Modified (Milling, Drilling, Printing etc.)
 Contact Factory mjm@hammondmfg.com for quotes
 Solid models of this enclosure available in STEP or IGES.

NOTES	
Purchased assembly includes enclosure, M4x25 lid screws and M4x6 ground screws.	
Gasket - Performed Silicone Rubber	
Cover screws should be torqued to 5-7.5 lbf.in (50-75 cN.m)	

1590Z130	
PART NUMBERS	
Basic Enclosure	1590Z130
Black Enclosure	1590Z130BK
Grey Enclosure - RAL7001 Gloss	1590Z130GY

HAMMOND MANUFACTURING™
 1590Z130
www.hammondmfg.com

