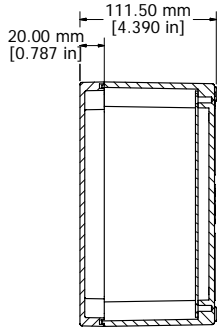
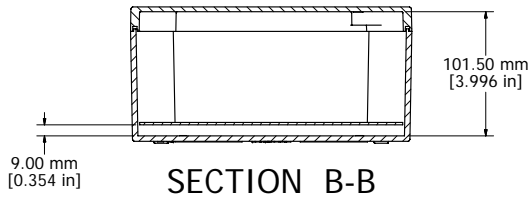


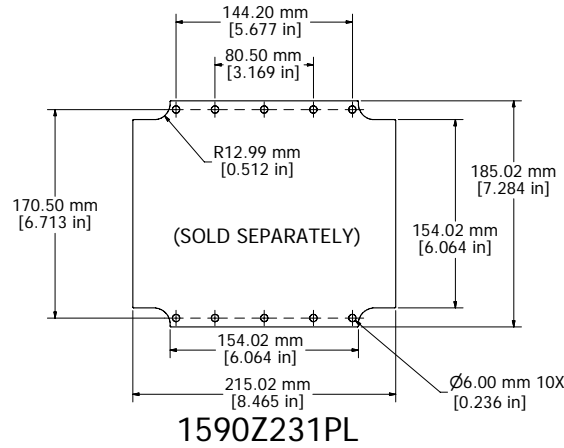
ASSEMBLY



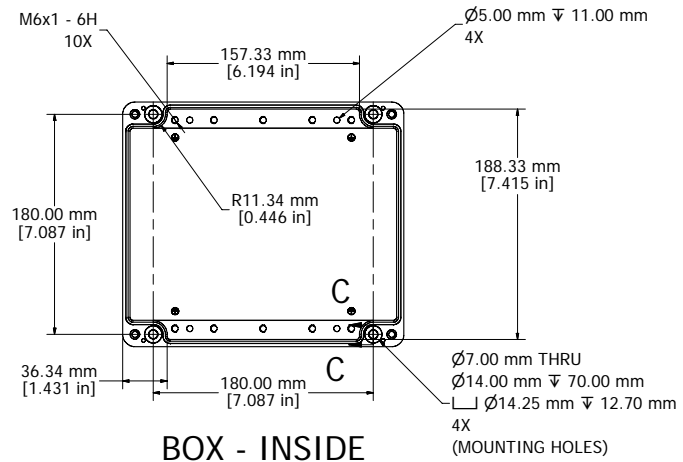
SECTION A-A



SECTION B-B

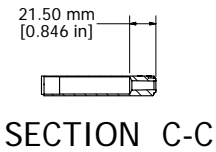


1590Z231PL

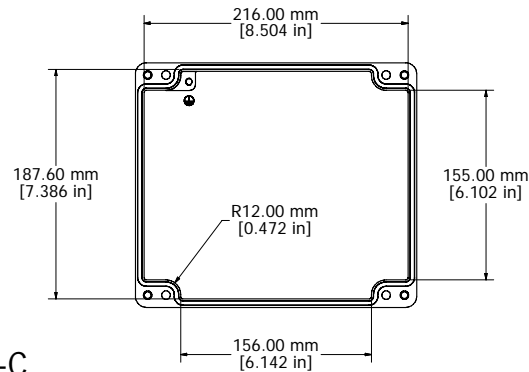


BOX - INSIDE

Ø7.00 mm THRU
 Ø14.00 mm 70.00 mm
 4X Ø14.25 mm 12.70 mm
 (MOUNTING HOLES)



SECTION C-C



LID - INSIDE



File #E65324
 NEMA 4, 4X

Enclosures can be Factory Modified (Milling, Drilling, Printing etc.)
 Contact Factory mjm@hammondmfg.com for quotes
 Solid models of this enclosure available in STEP or IGES.

NOTES

- Purchased assembly includes enclosure, M6x35 lid screws and M6x10 ground screws.
- Gasket - Preformed Silicone Rubber
- Cover screws should be torqued to 15-17 lbf.in (150-170 cN.m)

1590Z231

PART NUMBERS

Basic Enclosure	1590Z231
Black Enclosure	1590Z231BK
Grey Enclosure - RAL7001 Gloss	1590Z231GY
ACCESSORIES	
Inner Panel	1590Z231PL



HAMMOND
 MANUFACTURING™

1590Z231

www.hammondmfg.com