

Enclosures can be Factory Modified (Milling, Drilling, Printing etc.)
Contact Factory mjm@hammondmfg.com for quotes
Solid models of this enclosure available in STEP or IGES.
(Part number and text placement/orientation on our products are subject to change,
we do not recommend using them as a locating reference for modification purposes)

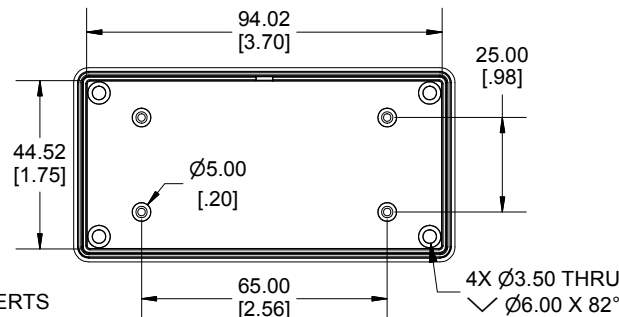
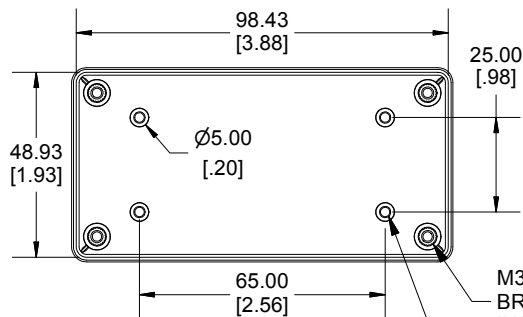
NOTE

Purchased assembly includes box, lid, 4 cover screws and installed brass inserts.
Enclosure molded from FRABS UL 94-V0 Plastic.
Other materials / colours available consult factory.

Recommended Torque : (43-50) Ozf.in / (30-35) cNm

PART NUMBERS

1591XXA Enclosure	
Black Textured Enclosure	1591XXABK
Gray Textured Enclosure	1591XXAGY
ACCESSORIES	
Black Cover Screws [M3-0.5 X10mm]	1591MS100BK (Pkg 100)
Plated Cover Screws [M3-0.5 X10mm]	1591MS100 (Pkg 100)
P.C. Board Screws	1593ATS60 (Pkg 50)
[#4 x 1/4" self-tapping (6.4mm)]	1593ATS100 (Pkg 100)



INSIDE BOX

INSIDE LID

BOX AND LID PCB POSTS
ACCEPT #4 X1/4"
SELF-TAPPING SCREW

Dimensions:
mm
[inches]

**HAMMOND
MANUFACTURING®**

1591XXA

www.hammondmfg.com