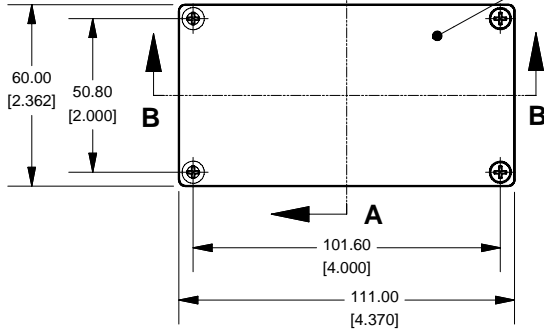
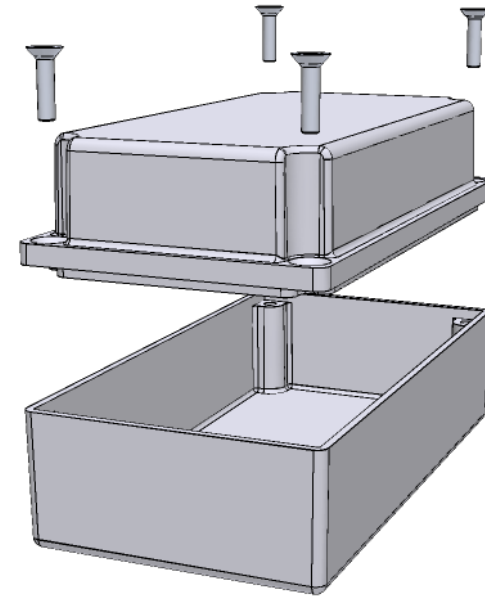
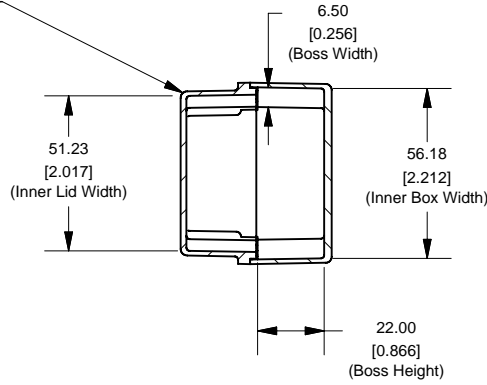


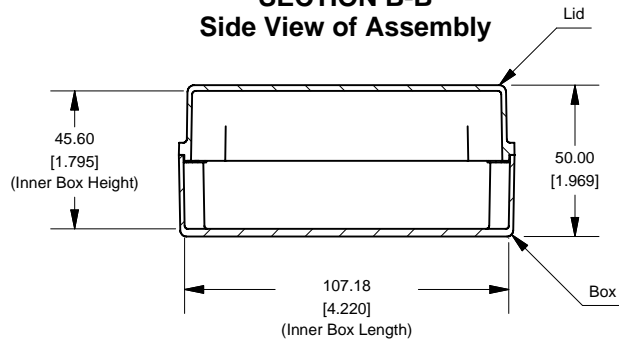
Top View of Assembly



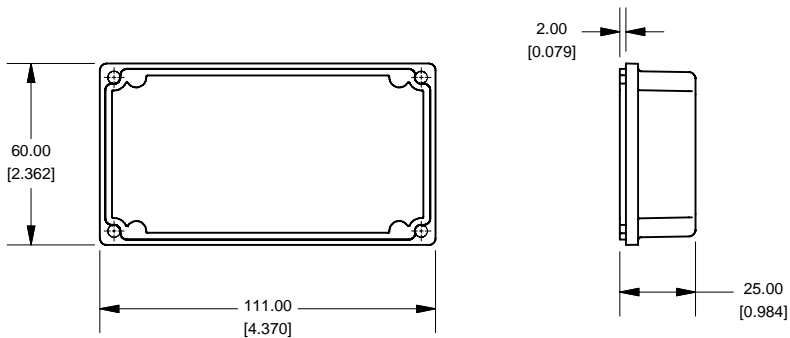
SECTION A-A End View of Assembly



SECTION B-B Side View of Assembly



Lid



Enclosures can be Factory Modified (Milling, Drilling, Printing etc.)
 Solid models of this enclosure available in STEP or IGES.
 Contact Factory jelkins@hammond-electronics.co.uk

NOTE	
Purchased assembly includes Deep Lid, Box and 4 cover screws.	

Eddystone 27134PDLA	
PART INFORMATION	
Part Number:	27134PDLA
Material:	LM2 / LM24 Diecast Aluminum Alloy
Cover Screw Type:	M3.5 x 10mm Countersunk (Screw Torque 75 oz. f.in or 55 cN. m)

**HAMMOND
MANUFACTURING™**

27134PDLA

www.hammondmfg.com