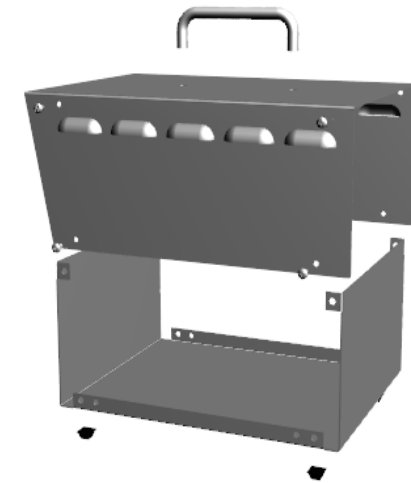
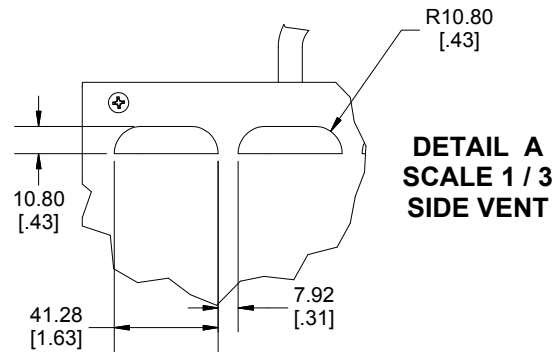
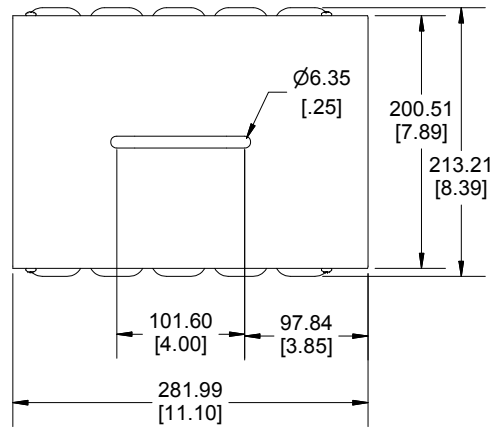
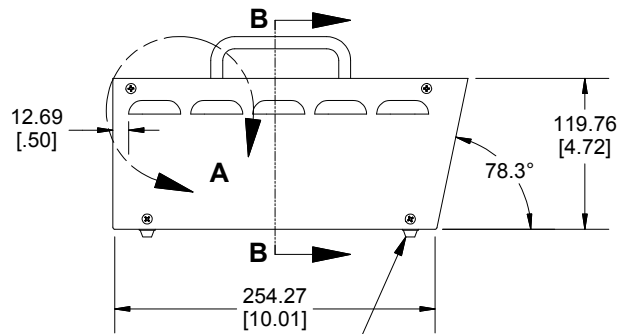


TOP VIEW OF ENCLOSURE

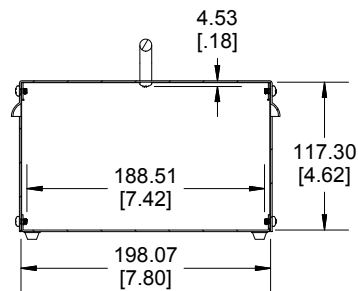
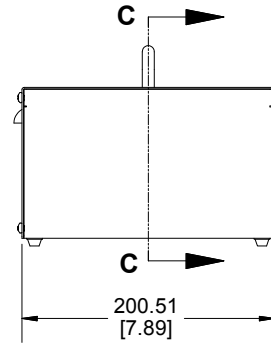


SDIE VIEW OF ENCLOSURE

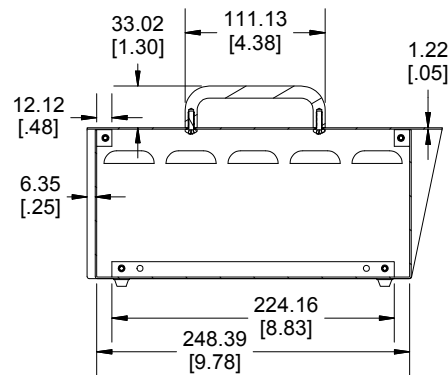


ADHESIVE RUBBER FEET

BACK VIEW OF ENCLOSURE



**SECTION B-B
END VIEW**



**SECTION C-C
SIDE VIEW**

Enclosures can be Factory Modified (Milling, Drilling, Printing etc.)
Contact Factory mjm@hammondmfg.com for quotes
Solid models of this enclosure available in STEP or IGES.

NOTE	
Case Includes Adhesive Rubber Feet, Handle Kit and Required Hardware.	
Enclosure Case is Made of 0.05" Steel.	

PART NUMBERS	
518-0910 Enclosure	
Smooth Light Grey Top Case Dark Satin Grey Base Case	518-0910
ACCESSORIES	
Plated Cover Screws (Pkg 50) [M4 x 6mm Self Tapping]	SC19480-50
Black Self-Adhesive Rubber Feet (Pkg 4)	1421T3

**HAMMOND
MANUFACTURING™**

518-0910

www.hammondmfg.com

Dimensions:
mm
[inches]