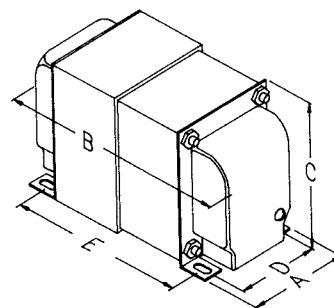


"Auto" Step Down - Plug In (175 Series)

Line



PLUG IN - STEP DOWN AUTOTRANSFORMERS (230V to 115V)

- Single winding, does not provide isolation, for use where equipment is already isolated and only voltage change is required.
- World wide applications, 50 or 60 Hz. operation, step down (230VAC to 115VAC).
- Input is circuit breaker protected.
- Hi-pot tested to 2 KV RMS.
- Standard 3-wire, grounded plug (can also be used with adaptors for proper grounding).
- Input connected to a 5 foot cord & grounded North American 250V 3-wire plug (NEMA 6-15P).
- Output connected to standard North American 115V - 3 wire grounded receptacle (NEMA 5-15R).
- North American Mark of Safety - C UL & UL listed - File #E211544
- **Remember** - These units do NOT convert line frequency.

| Part No. | Capacity VA | Dimensions (Inches) | | | | | Wt. Lbs. |
|----------------|----------------|---------------------|------|------|------|------|-------------|
| | | A | B | C | D | E | |
| 175A-NA | 100 | 3.16 | 4.25 | 3.81 | 2.50 | 2.94 | 3.5 |
| 175B-NA | 200 | 3.16 | 4.50 | 3.81 | 2.50 | 3.19 | 4.5 |
| 175C-NA | 300 | 3.16 | 5.00 | 3.81 | 2.50 | 3.69 | 6 |
| 175D-NA | 500 | 3.80 | 6.00 | 4.68 | 3.00 | 4.38 | 10 |
| 175E-NA | 750 | 3.80 | 7.06 | 4.68 | 3.00 | 5.38 | 14 |
| 175F-NA | 1000 | 3.80 | 7.06 | 4.68 | 3.00 | 5.38 | 14.5 |
| 175G-NA | 1500 | 4.40 | 6.63 | 5.39 | 3.50 | 6.09 | 22 |



CANADA

Guelph, Ontario (519) 822-2960
St. Laurent, Quebec (514) 343-9010

USA

Cheektowaga, NY (716) 630-7030

www.hammondmfg.com



EUROPE

Basingstoke, UK 01256 812812

AUSTRALIA

Queenstown, Australia 61-8-8240-2244