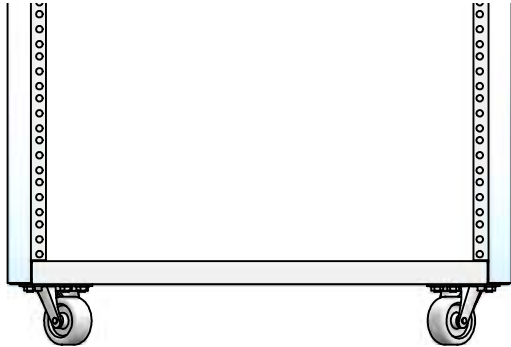


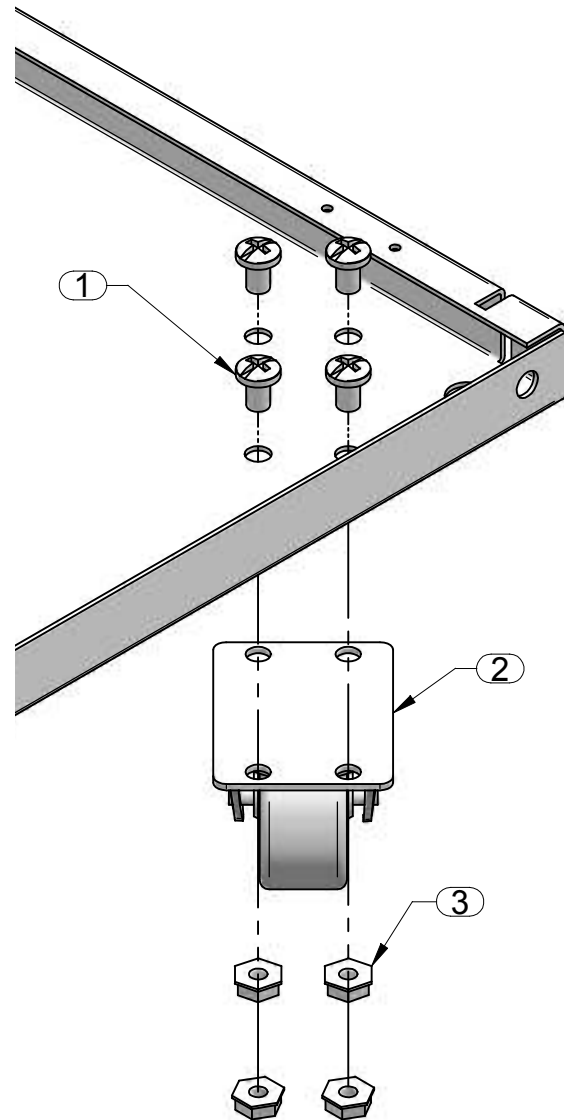
RCHS/V- SERIES

ASSEMBLY INSTRUCTIONS FOR HEAVY DUTY CASTERS

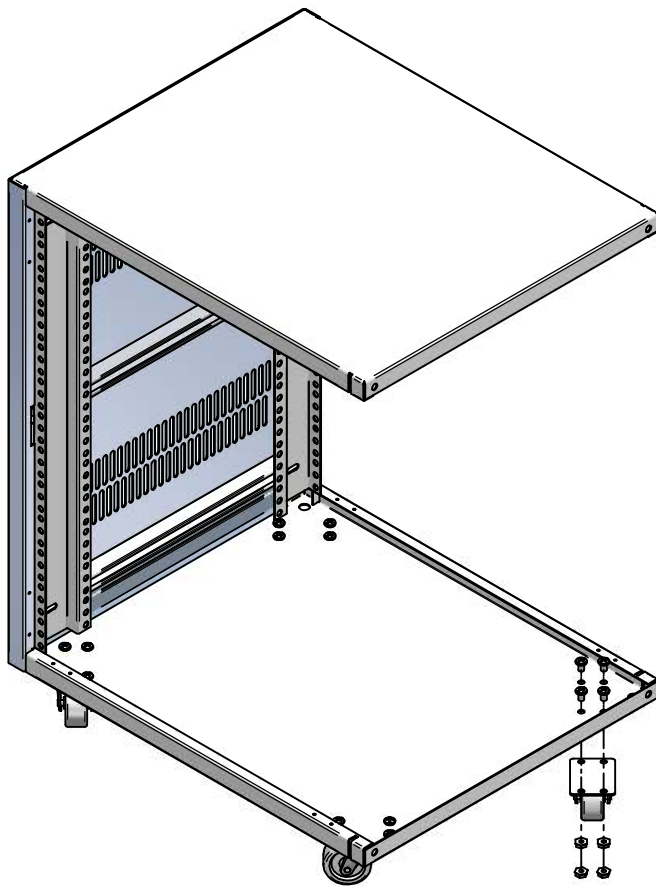
BUL10359
REV. A
PAGE 1 OF 1



FRONT VIEW



ASSEMBLY TYPICAL AT ALL CORNERS



SHOWN WITH SIDE ASSEMBLY REMOVED

ASSEMBLY INSTRUCTIONS:

- A) Set rack on its side for easier installation.
- B) Fasten casters (item 2) using 1/4" hardware (items 1 & 3) supplied.
- C) Return rack to upright position on casters. See assembly detail above.

PARTS LIST

| ITEM No. | DESCRIPTION | QTY |
|----------|------------------------------|-----|
| 1 | SCREW 1/4-20 X 3/8 RND SL ZP | 16 |
| 2 | CASTER SWIVEL ROCKITE 2" | 4 |
| 3 | NUT 1/4 20-KEP ZP | 16 |

TOOL BOX



Phillips
Screw Driver



7/16" Open End
Wrench



visit our website @ www.hammondmfg.com