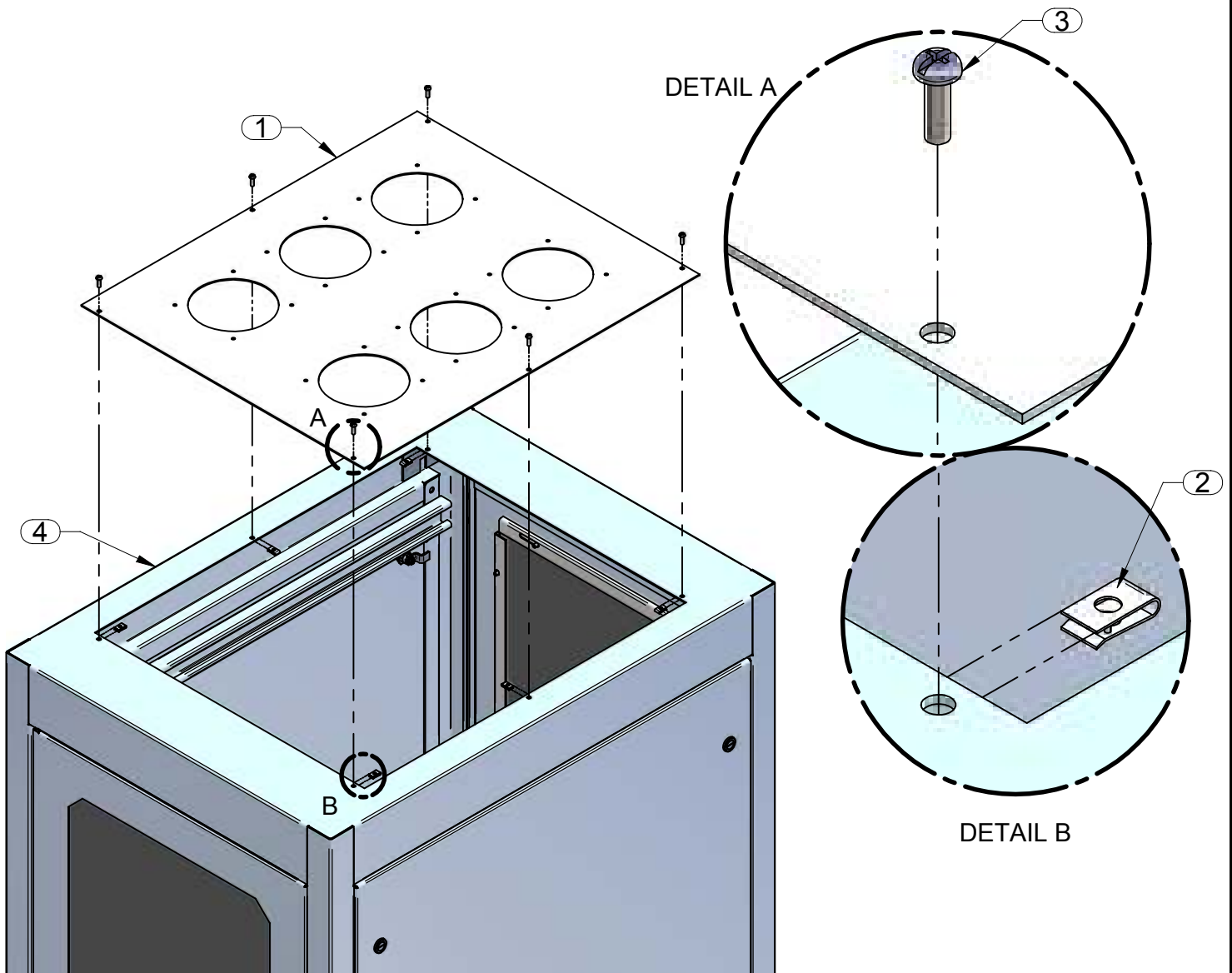


# C2T - SERIES

## ASSEMBLY INSTRUCTIONS FOR CONTEMPRA FAN TOPS

BUL10377  
REV. A  
PAGE 1 OF 1



### ASSEMBLY INSTRUCTIONS:

- A) Install 6 8-32 clip nuts (item 2) on the top of the enclosure (item 4) over the holes located around the rectangular cutout. (Detail B)
- B) Place fan top or fan top panel (item 1) over the cutout and line up mounting holes.
- C) Secure top plate using 6 8-32 x 1/2 screws (item 3) as shown in Detail A.

#### PARTS LIST

| ITEM No. | DESCRIPTION                        | QTY |
|----------|------------------------------------|-----|
| 1        | FAN TOP PANEL                      | 1   |
| 2        | 8-32 CLIP NUT                      | 6   |
| 3        | 8-32 X 1/2 SCREW                   | 6   |
| 4        | CONTEMPRA ENCLOSURE (NOT INCLUDED) | 1   |

#### TOOL BOX



#2 Phillips  
Screw Driver



visit our website @ [www.hammondmfg.com](http://www.hammondmfg.com)