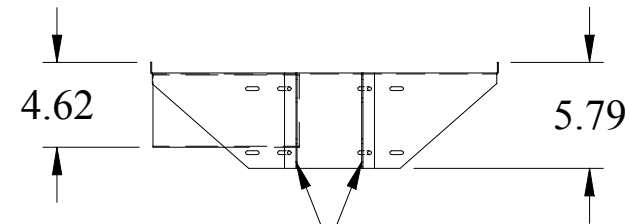
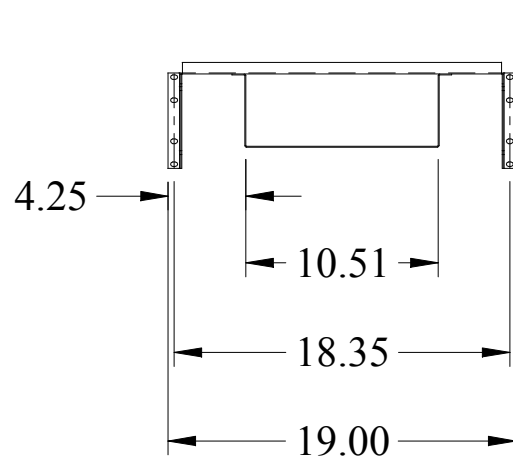
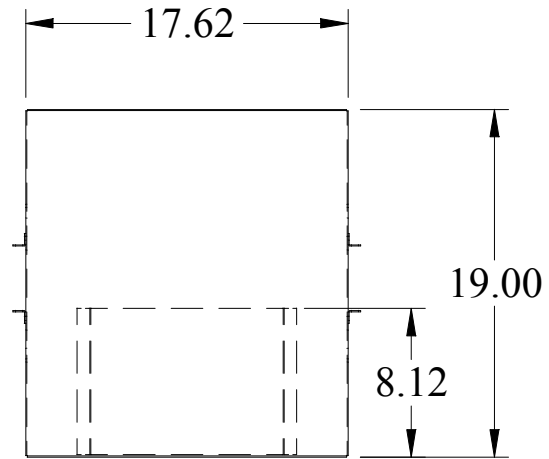
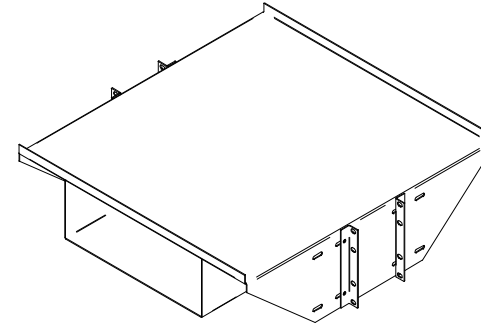


PART No. DNRMM19

for more information visit
www.hammondmfg.com

Data subject to change without notice

ISOMETRIC VIEW NOT TO SCALE



ADJUSTABLE
MOUNTING
BRACKETS