

FNAME

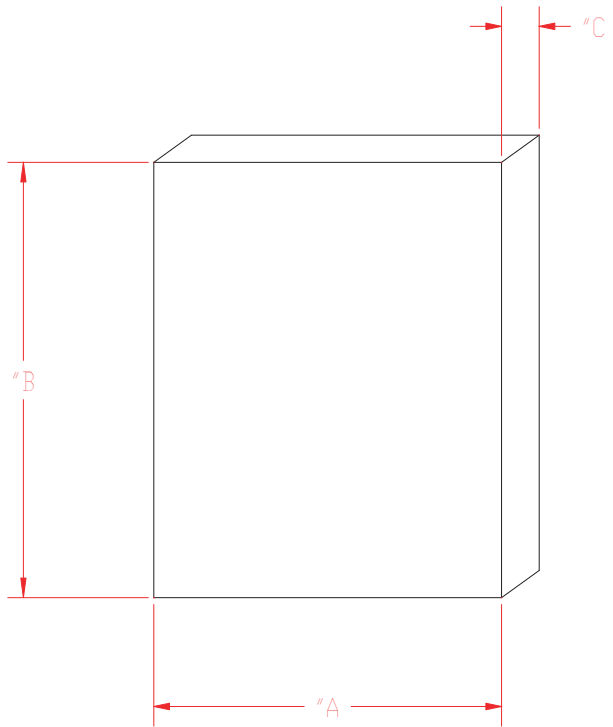
REVDATE

USER

REVISIONS				
ZONE	REV	DESCRIPTION	DATE	APPROVED


Filter Media

Material - Polyester fiber, UL 900 Class II Flammability Rating.
 Density - 160 g/sqm (PFF1000)
 184 g/sqm (all other sizes) Dual Density.
 Size - as per chart.



Size	A	B	C
PFF1000	85mm	85mm	7mm
PFF2000	115mm	115mm	15mm
PFF3000	210mm	210mm	15mm
PFF5000	275mm	275mm	15mm

Filter Media "PF" Filter Fans

Tolerances + - 2mm - - 0mm	 HAMMOND MANUFACTURING 485 Conestogo Rd. Waterloo Ont. Canada N2L-4C9 <small>CANADA - PH (519) 886 7170 - FAX (519) 886 8311 U.S.A. - PH (716) 631 5700 - FAX (716) 631 1156</small>		
	R. Boehler Aug. 1999	SIZE B SCALE None	FSCM NO. DWG NO. PFF1000/5000 SHEET 1 of 1