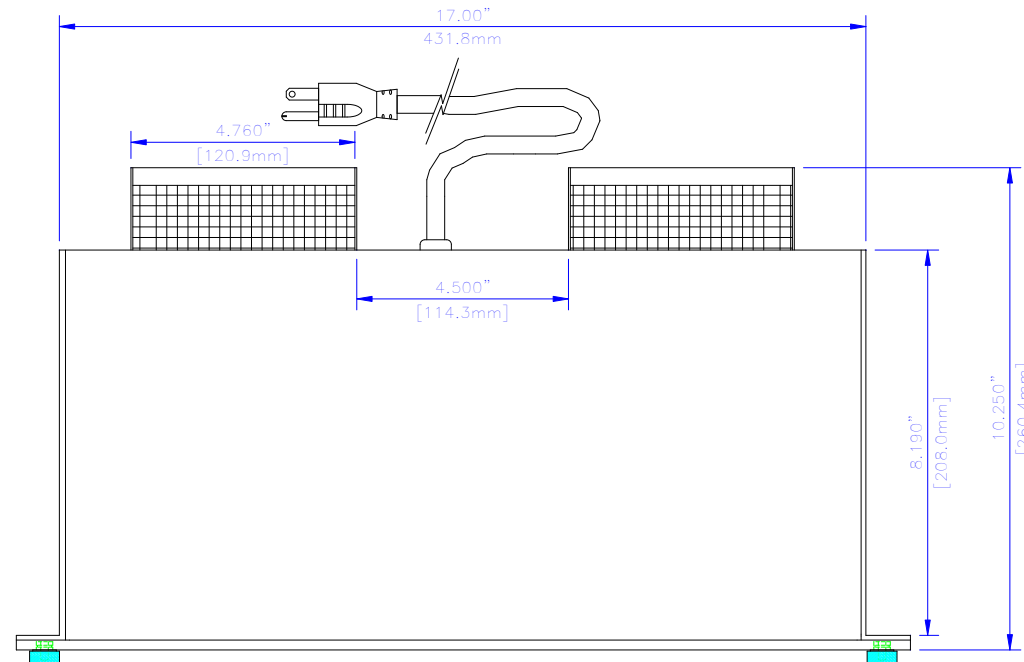
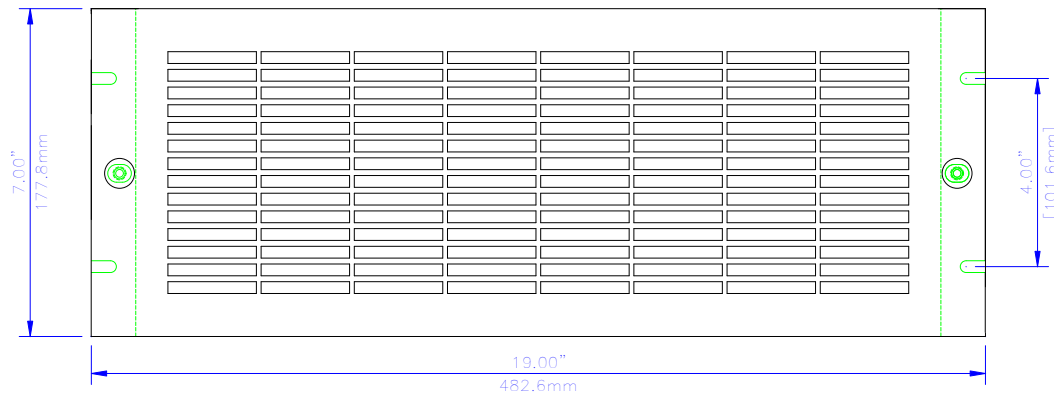


NOTES

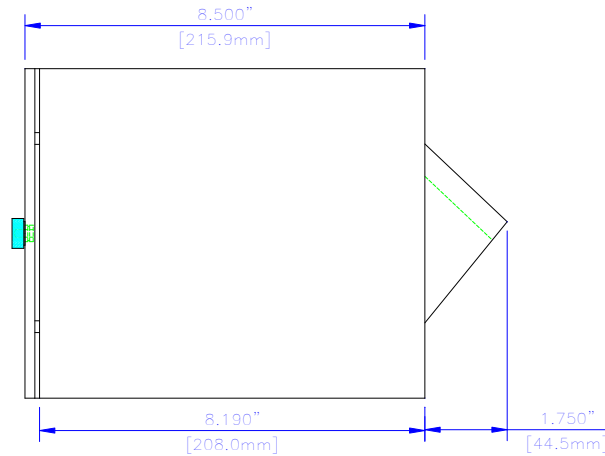
- HB4500A SPECS. – AIRFLOW 470 CFM
 – 3250 RPM
 – 115V, UR/CSA BALL BEARING MOTOR
 – 6' SJTW CORD
 – PANEL HEIGHT 7.00"(4U)
 – AMBIENT TEMP. -20°F to 250°F



TOP VIEW



FRONT VIEW



SIDE VIEW

THIS DRAWING IS PROPRIETARY INFORMATION OF HAMMOND MFG.CO.LTD. NOT TO BE USED WITHOUT EXPRESSED WRITTEN PERMISSION OF HAMMOND MFG.CO.LTD.

Re	EC	Description	Dat	B

Unless otherwise specified dimensions are in inches
 Tolerances are:
 .X ± .1
 .XX ± .01
 .XXX ± .020
 .XXXX ± .0005
 Holes ± .0050
 Angles ± .5°



Dw	R.B
Dat	12/09/04
Ch	---
Mat	---
Sheet	1 of 1

HAMMOND MANUFACTURING CO. LTD.
 Electronics Group, Waterloo, Ont. – 505 Dutton Drive

HB4500A
 4U Blower Unit

Part#	HB4500A	Dwg	HB4500A
-------	---------	-----	---------