

Hydro-Quebec Metering Cabinets

NEMA 1

Commercial Enclosures


**Inner
Panel
Included**



Application

- Designed for indoor housing of metering transformers per Hydro Quebec specifications.

Standards

- CSA Approved
- **Complies with**
 - IEC 60529, IP20

Construction

- Formed and spot welded from 14 or 16 gauge steel.
- Spot welded construction and formed edges.
- Removable inner panels.
- Hinged covers.
- 2 cutouts in top of each cabinet with metering plates included.

Finish

- Enclosure and cover are finished in ANSI 61 gray inside and out.
- Inner panel is finished in ANSI 6061 gray powder coating

Cabinet Catalog Numbers

Part Number	Dimensions			
	A	B	C	Gauge
CMCQ303010	30	30	10	16
CMCQ363612	36	36	12	14
CMCQ484812	48	48	12	14

Panel Catalog Numbers

Panel Part Number	Description	Dimensions	
		D	E
CMCQP1	Accessory Plate	24.685	7.000
CMCQP2	Universal Support Current Panel	12.756	13.386
CMCQP3	Universal Support Voltage Panel	25.591	15.006

Panel Selection Guide

Enclosure	Panel supplied with enclosure			Panel capacity per enclosure		
	CMCQP1	CMCQP2	CMCQP3	CMCQP1	CMCQP2	CMCQP3
CMCQ303010	1	1	1	1	1	1
CMCQ363612	1	1	1	2	1	1
CMCQ484812	1	1	1	2	2	1

 Technical references and CAD downloads available at www.hammondmfg.com

All dimensions in inches unless specified otherwise

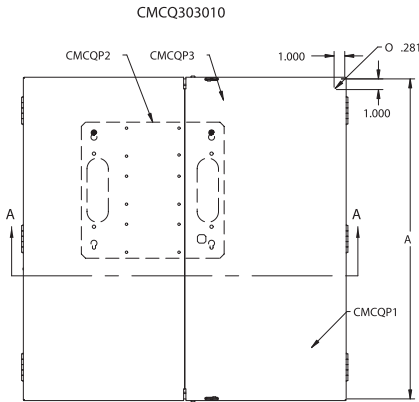
Quality Products. Service Excellence.
Metering Cabinets

Hydro-Quebec Metering Cabinets

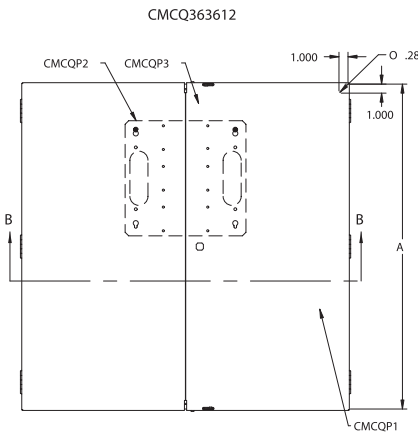
NEMA 1

Commercial Enclosures

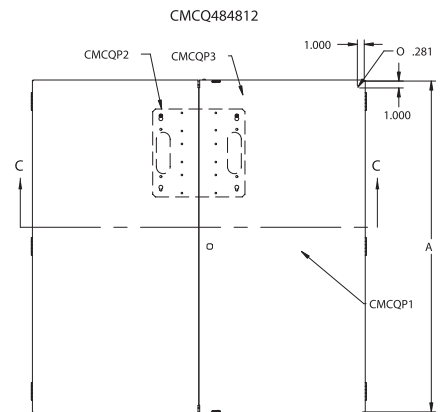
Metering Cabinets



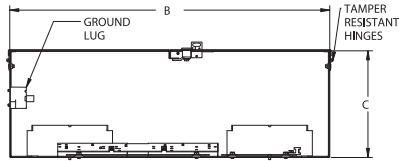
FRONT VIEW - DOORS REMOVED



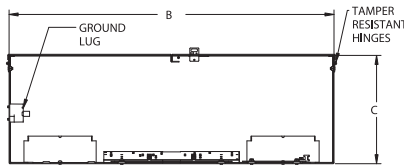
FRONT VIEW - DOORS REMOVED



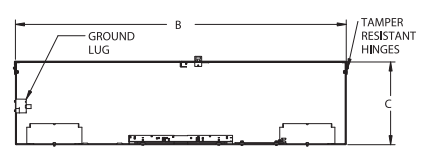
FRONT VIEW - DOORS REMOVED



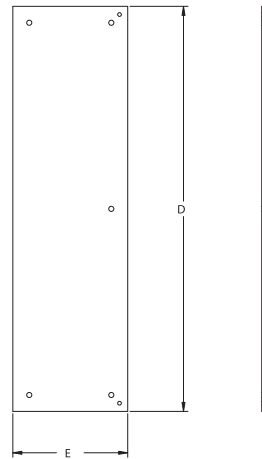
SECTION A-A



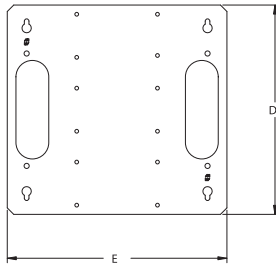
SECTION B-B



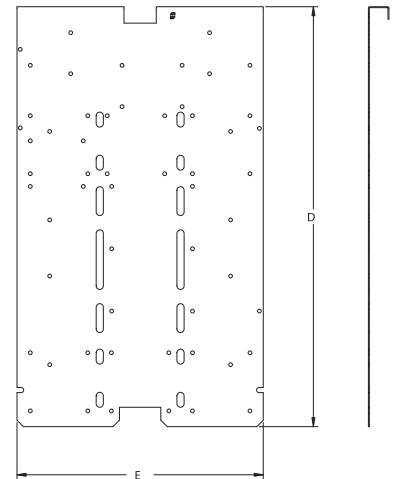
SECTION C-C



CMCQP1
ACCESSORY PLATE



CMCQP2
UNIVERSAL SUPPORT CURRENT
PANEL



CMCQP3
UNIVERSAL SUPPORT VOLTAGE
PANEL