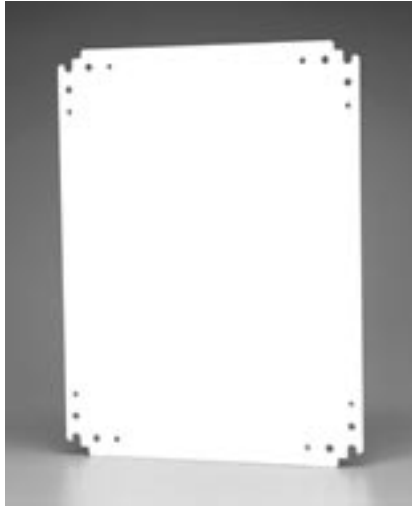


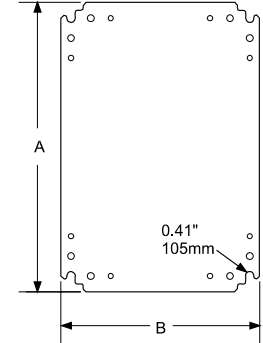
Polyester Modular Enclosures - NEMA 4X

PW Series - Accessories



PW Series Inner Panel

- Available in steel or unfinished aluminum.
- 12 gauge steel panels are finished in white baked powder coating.
- Aluminum panels are 0.125" (3.2mm) unfinished.
- Hardware to mount inner panels is included with PW enclosures.



Steel Part No.	Aluminum Part No.	Fits Enclosure		A	B
PWP4333	PWPA4333	PW433320	inch	14.37	9.84
			mm	365	250
PWP5343	PWPA5343	PW534320	inch	18.31	13.78
			mm	465	350
PWP6544	PWPA6544	PW654425	inch	22.24	13.78
			mm	565	350
PWP7554	PWPA7554	PW755430	inch	26.18	17.72
			mm	665	450
PWP8564	PWPA8564	PW856430	inch	30.12	21.65
			mm	765	550



Corrosion Resistant

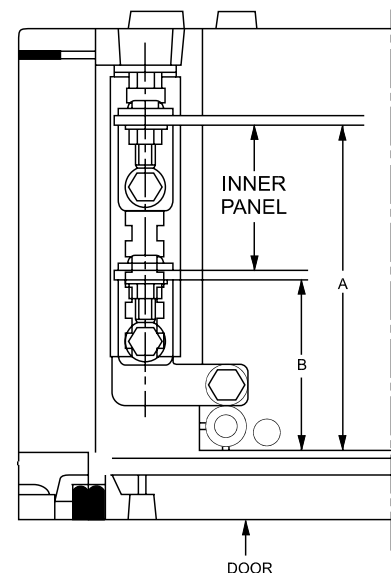
Wallmount Enclosures



PW Series Adjustable Depth Supports

- Supports designed to fit 200 mm (7.88"), 250 mm (9.80"), 300 mm (11.80") and 350 mm (13.8") enclosures.
- Self positioning slots allowing for adjustment every 12.5 mm (0.50").
- Made of double chromed zinc coated steel.
- Attaches easily to the enclosure.

Part No.	Fits Enclosures		Full Back A	Full Front B
PWDC200	PW534320	inch	6.4	3.9
	PW433320	mm	162	99
PWDC250	PW654425	inch	8.1	4.1
		mm	205	105
PWDC300	PW755430	inch	10.0	8.1
	PW856430	mm	255	205



Top View

Polyester Modular Enclosures - NEMA 4X

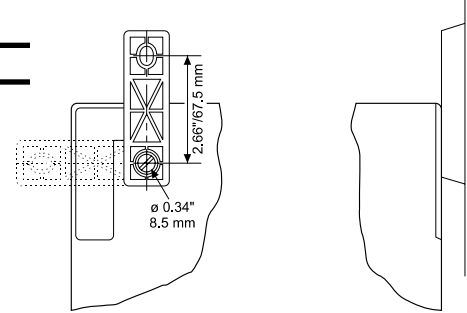
PW Series - Accessories



PW Series Mounting Feet

- Constructed of polyamide and fiberglass.
- Kit includes inserts and M8 screws to permit horizontal or vertical installation.
- Easily installed in the field.

Part No. **PWMF**



Rear View

Side View



PW Series Rear Blanking Cover

- Insulating rubber covers simply "snap" in covering the rear self-ventilating openings when additional protection is required.
- Easily installed in the field - no hardware required.
- Quantity of 4.

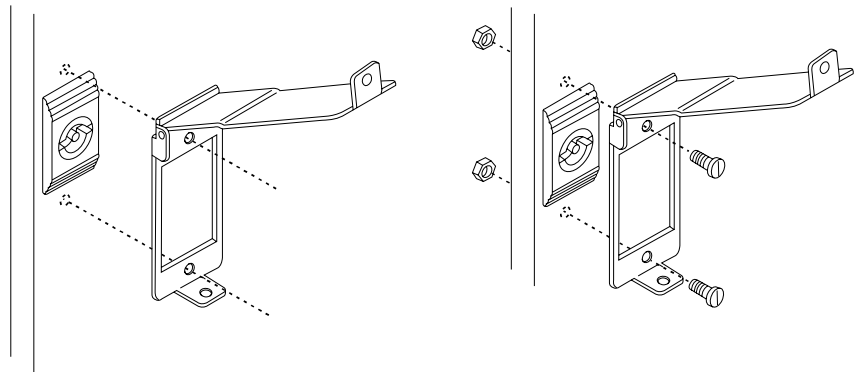
Part No.	Fits Enclosures
PWRBG20	PW433320 PW534320
PWRBG2530	PW654425 PW755430 PW856430



PW Series Padlock Adaptor

- Permits installation of padlock over the standard "Double Bar" quarter turn.
- 1.5 mm thick stainless steel.
- Easy installed in the field.

Part No. **PWPA**



Padlocking Lock System Installation

Corrosion Resistant Wallmount Enclosures

Polyester Modular Enclosures - NEMA 4X

PW Series - Accessories

Corrosion Resistant

Wallmount Enclosures



Porthole Viewing Windows

- Made of high UV resistance polycarbonate.
- Installation template included.
- Pre-installed gasket.

Part No.		A	B	C
PVW1111CC	inch	3.66	3.66	0.32
	mm	93	93	8
PVW1814CC	inch	5.04	5.04	0.22
	mm	128	128	5.5



Hinged Viewing Windows

- Made of high UV resistance poly-carbonate.
- Installation template included.
- Pre-installed gasket.
- Finger latches for easy opening with securing provision.

Part No.		A	B	C
PVW9577CC	inch	3.03	3.74	0.60
	mm	77	95	15
PVW1677CC	inch	3.03	6.42	0.60
	mm	77	163	15
PVW2077CC	inch	3.03	7.87	0.60
	mm	77	200	15



Large Viewing Windows

- Made of high UV resistance poly-carbonate.
- Installation template included.
- Pre-installed gasket.
- Surface mounting on a wide variety of enclosures from steel to non-metallic.
- Quarter turn thumb latch.

Part No.		A	B
PVW2423CC	inch	9.76	9.25
	mm	248	235
PVW2929CC	inch	11.42	11.42
	mm	290	290



Air Vents

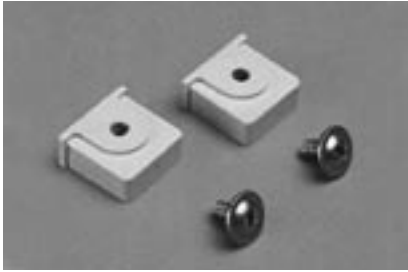
- Designed to equalize external and internal temperatures and prevent condensation within the enclosure.
- Units are mounted within the self ventilating openings in PW Series.

Part No.	PVENT
Outside Diameter	1.76
Cutout Diameter	1.36



Polyester Modular Enclosures - NEMA 4X

PW Series - Accessories



PW Series Rail Fixing Insert

- Insert nut specially designed to fit in the back of the enclosure for quick fixing of 35 mm (1.3") rails through self-tapping screws (included).
- Made of insulating material.
- Fits all sizes of PW enclosures.
- Packaged in quantities of two.

Part No. **PWIN**



Metal Double Bar Enclosure Key

- PW Enclosures use a standard double bar key. One molded key is shipped with the enclosure, however in the instance you lose the key, or would like backup, they are available for order.
- Metal key fits all sizes of PW Enclosures.
- Packaged individually.

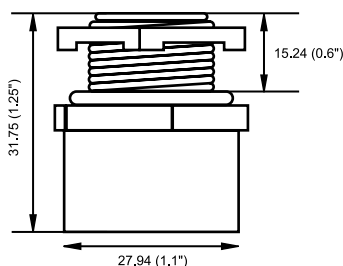
Part No. **PMKEY**



Molded Double Bar Enclosure Key

- PW Enclosures use a standard double bar key. One is shipped with the enclosure, however in the instance you lose the key, or would like backup, they are available for order.
- Molded key fits all sizes of PW Enclosures.
- Packaged individually.

Part No. **PWKEY**



Breather Kit (Pressure Compensation Plug)

- Packaged individually.
- Provides for controlled pressure compensation due to temperature variations (i.e. night/day operation).
- Recommend two plugs per cabinet in opposite locations.
- Pipe Thread 1/2"NPT (actual dia. 0.84")

Part No. **BDN4XN1**

CSA/A Ex Approvals:	Class I, Zone 1, Ex e II Class I Division 2 Groups ABCD Class II EFG, Class III
Ingress Protection:	IP66, CSA Enclosure Type NEMA 4X
Impact Resistance:	20Nm (7Nm GF Nylon)
Materials:	Durethan BKV 30 N1 30% Glass Filled Nylon O Ring - Nitrile Fixing nut - Brass
Operating Temp:	-50C to +85C



Corrosion Resistant Wallmount Enclosures