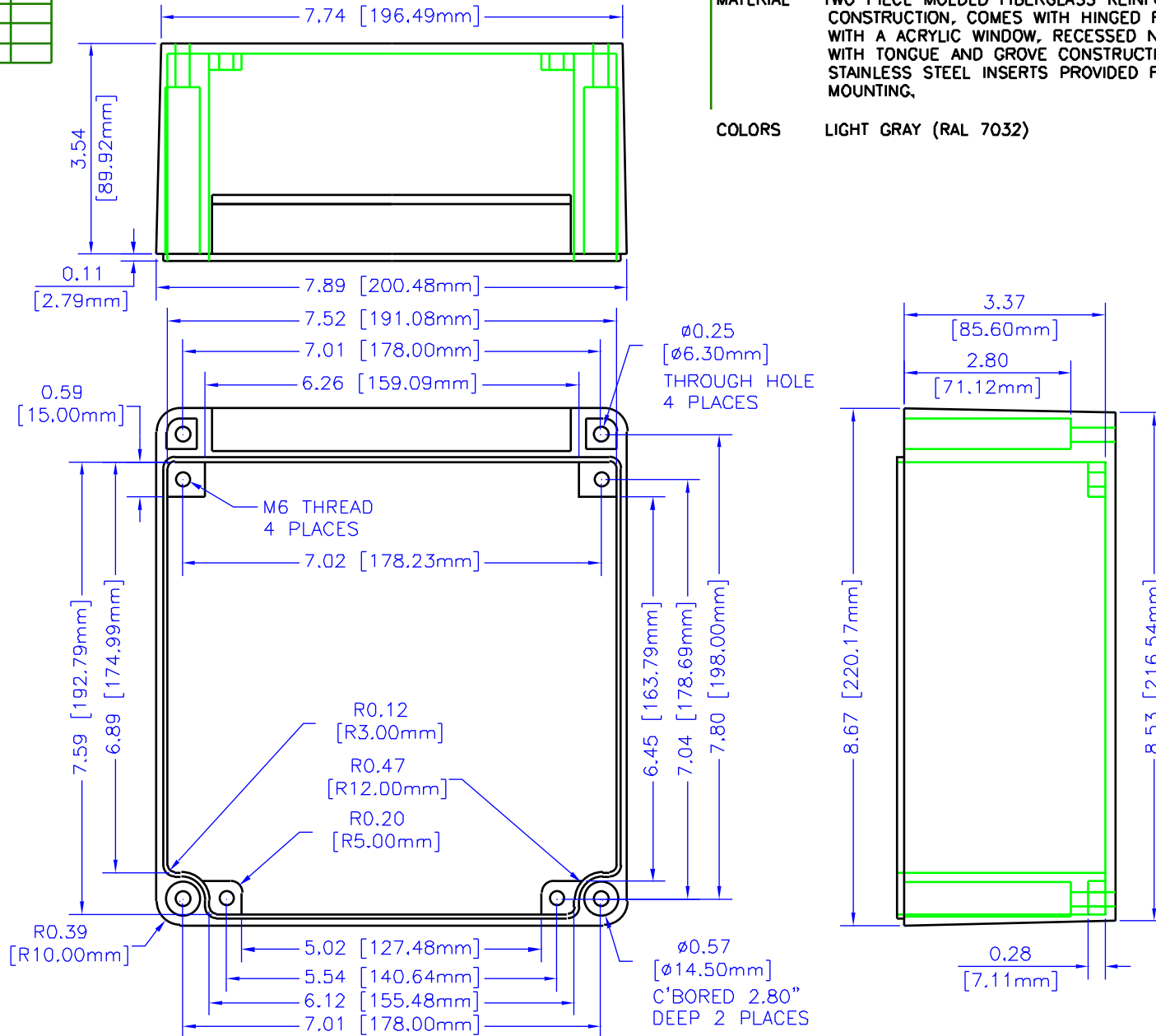


REV	DESCRIPTION	DATE

NOTES

MATERIAL TWO PIECE MOLDED FIBERGLASS REINFORCED POLYESTER CONSTRUCTION, COMES WITH HINGED POLYFIBER COVER WITH A ACRYLIC WINDOW, RECESSED NEOPRENE GASKET WITH TONGUE AND GROVE CONSTRUCTION, THREADED STAINLESS STEEL INSERTS PROVIDED FOR INTERNAL MOUNTING.

COLORS LIGHT GRAY (RAL 7032)



BOX VIEW

UNLESS OTHERWISE SPECIFIED
DIMENSIONS ARE IN INCHES
x +/- .1
xx +/- .02
xxx +/- .015
cuts +/- .005
ANGLES +/- .5 DEG

NOTICE
HAMMOND MANUFACTURING PROPRIETARY RIGHTS TO THE MATERIAL ON THIS DRAWING. IT IS INTENDED TO BE USED AS A REFERENCE FOR ENGINEERING INFORMATION ONLY. THIS INFORMATION MAY NOT BE USED TO MANUFACTURE, REPRODUCE, OR OTHERWISE PERFORM WITHOUT WRITTEN PERMISSION FROM HAMMOND MANUFACTURING.



**HAMMOND
MANUFACTURING**

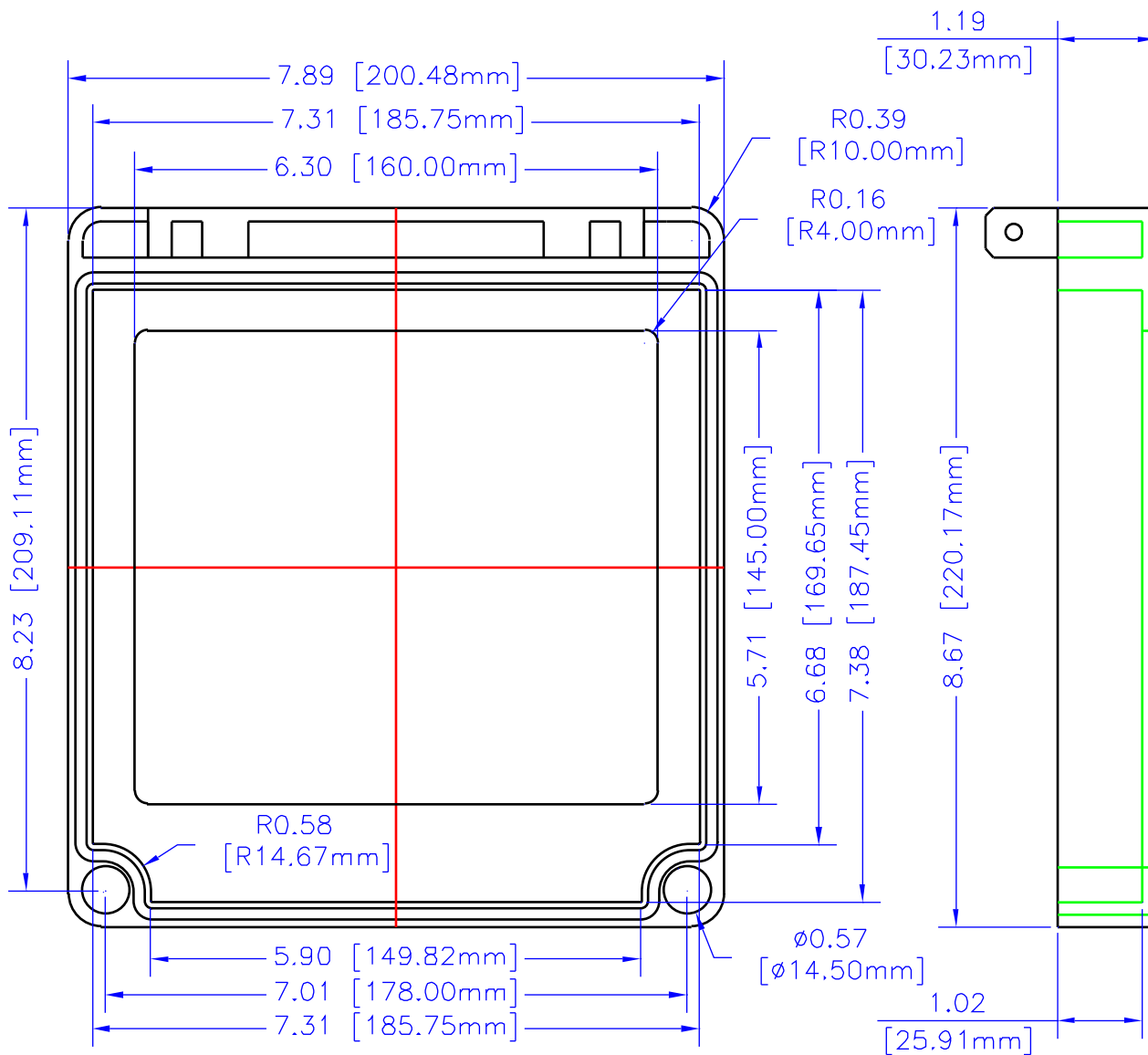
WEB: WWW.HAMMONDMFG.COM

TITLE
HAMMOND R130 SERIES
POLYESTER ENCLOSURE

DRAWN BY MJM DATE 12/08/01

SCALE PAGE 1 OF 2

PART NUMBER
R131-200-000



LID VIEW

UNLESS OTHERWISE SPECIFIED
DIMENSIONS ARE IN INCHES
X +/- .1
XX +/- .02
XXX +/- .015
CUTS +/- .005
ANGLES +/- .5 DEG

NOTES
HAMMOND MANUFACTURING PROPRIETARY RIGHTS TO THIS DRAWING OR THIS DRAWING, IF IS INTENDED TO BE USED AS A REFERENCE FOR ENGINEERING INFORMATION ONLY THIS INFORMATION MAY NOT BE USED TO MANUFACTURE PRODUCT WITHOUT WRITTEN PERMISSION FROM HAMMOND MANUFACTURING.



**HAMMOND
MANUFACTURING**

WEB: WWW.HAMMONDMFG.COM

TITLE		HAMMOND R130 SERIES POLYESTER ENCLOSURE	
DRAWN BY	MJM	DATE	12/08/01
SCALE		PAGE	2 OF 2
PART NUMBER		R131-200-000	