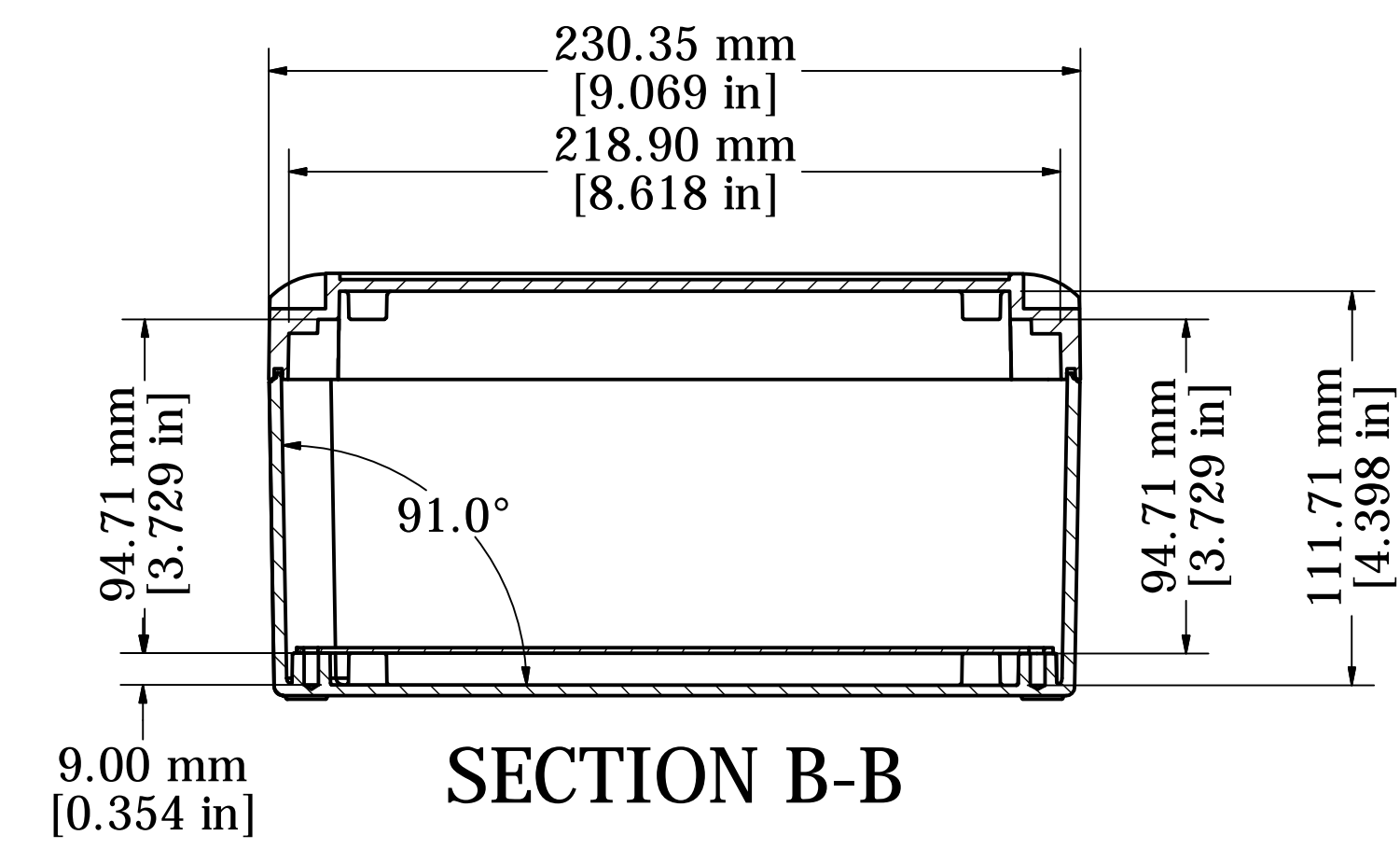
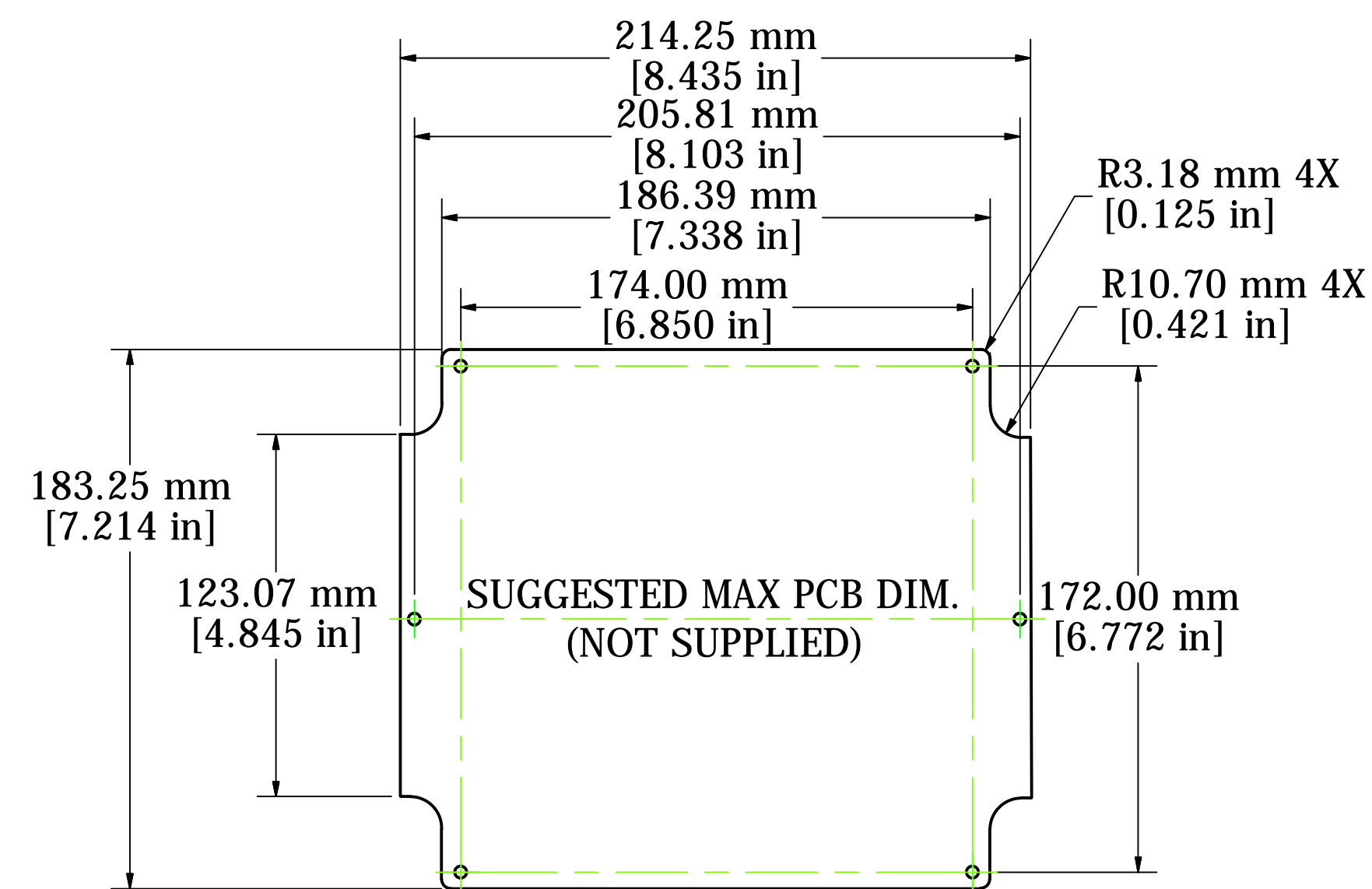


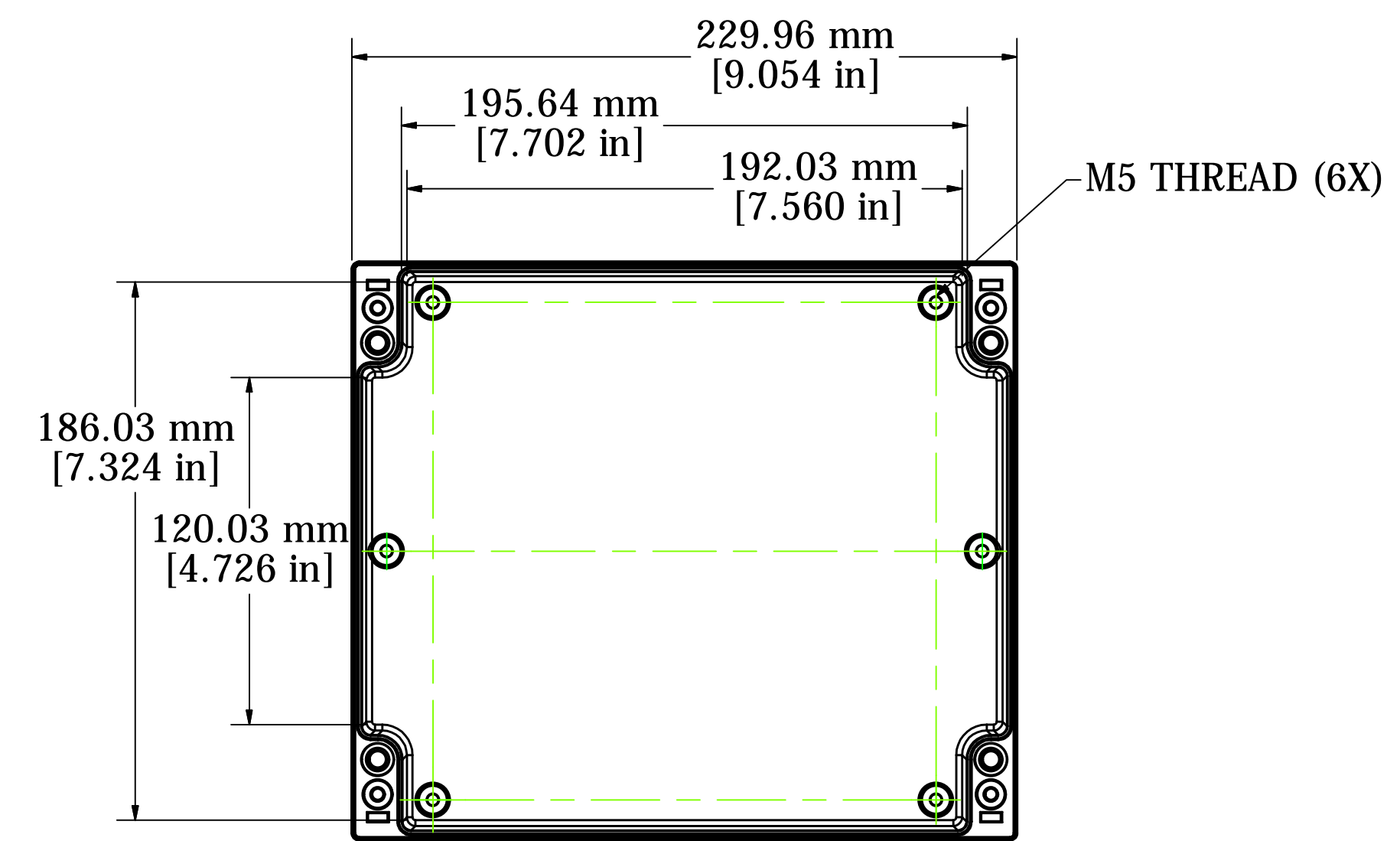
SECTION A-A



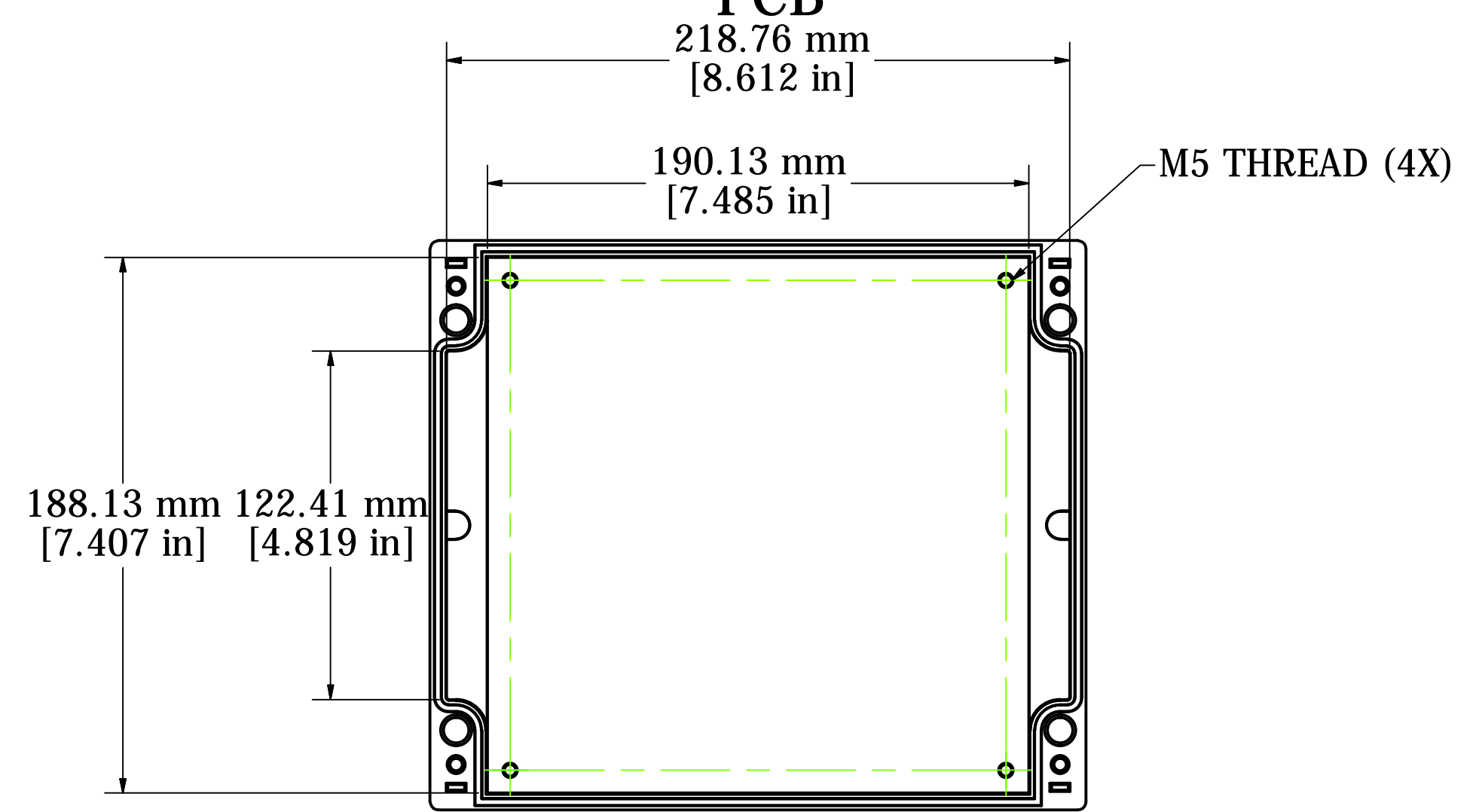
SECTION B-B



PCB



BOX - INSIDE VIEW



LID - INSIDE VIEW

Enclosures can be Factory Modified ( Milling, Drilling, Printing etc. )  
Contact Factory [mjm@hammondmfg.com](mailto:mjm@hammondmfg.com) for quotes  
Solid models of this enclosure available in STEP or IGES.

| NOTE   |
|--|
| <b>Purchased Assembly includes:</b>                            |
| Top and Bottom Cover (Die-cast aluminum G Al Si 12 / DIN 1725) |
| 4 Captive Stainless Steel Screws.                              |
| Standard Powder Coated (Silky Grey RAL 7040)                   |
| Alu Design Covers  |
| Integrated Lid Support   |



**HAMMOND  
MANUFACTURING™**

**R191-200-100**

[www.hammondmfg.com](http://www.hammondmfg.com)