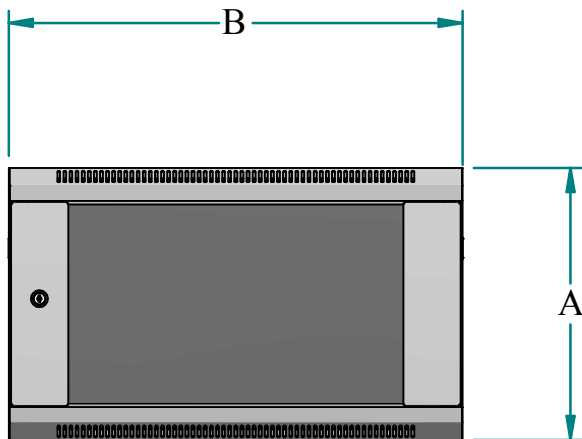
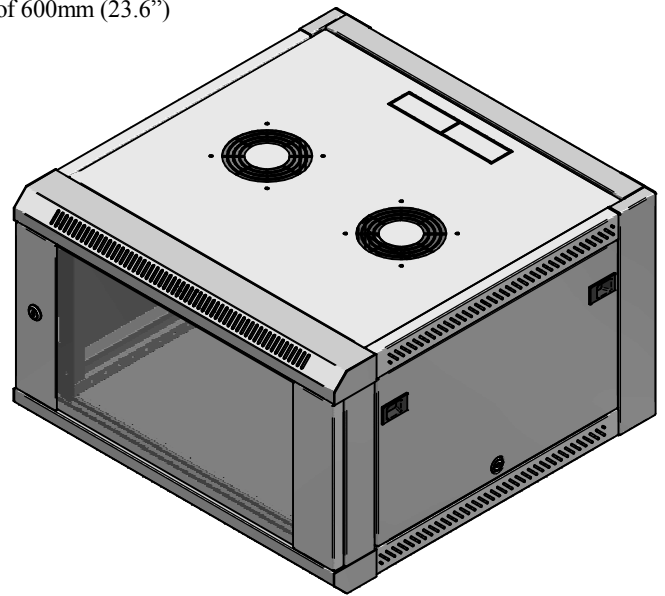


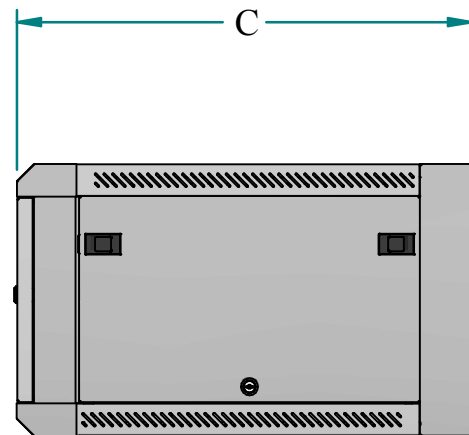
WMC - SERIES 2

Features

- Offered in 4 heights all with overall width 600mm (23.6") and overall depth of 600mm (23.6")
- Flat pack makes storage and shipping cost effective
- Quick and easy bolt-together field assembly
- Provides standard 19" rack mounting
- High quality, powder coat finish (black)
- Comes complete with:
 - Sturdy cold-rolled steel frame
 - Static load capacity of 40 kg (90lbs)
 - Ventilation slots front and side
 - Optional fans can be added into top cutouts
 - Cable access panels top and bottom
 - 2 pair of mounting rails
 - Square hole design, 20 screws and push-in nuts
 - 25mm incremental depth adjustment
 - Tempered glass door provides full view of equipment
 - Full 180 degree opening
 - Easily removed and can be hinged in either direction
 - Complete with lock and key



FRONT VIEW



SIDE VIEW

Part Number	Height (A)	Overall Width (B)	Overall Depth (C)
WMC1901023BK2	358mm (14.125")6U	600mm (23.6")	600mm (23.6")
WMC1901523BK2	492mm (19.38")9U	600mm (23.6")	600mm (23.6")
WMC1902123BK2	625mm (24.62")12U	600mm (23.6")	600mm (23.6")
WMC1902623BK2	759mm (29.88")15U	600mm (23.6")	600mm (23.6")