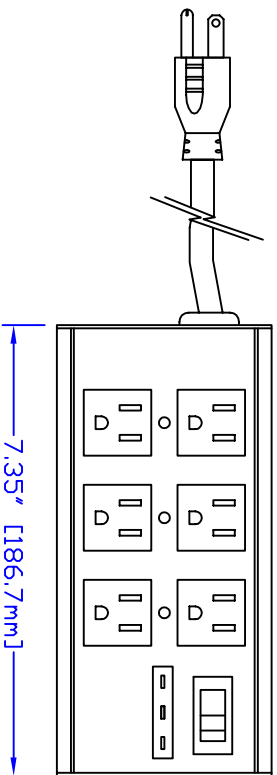
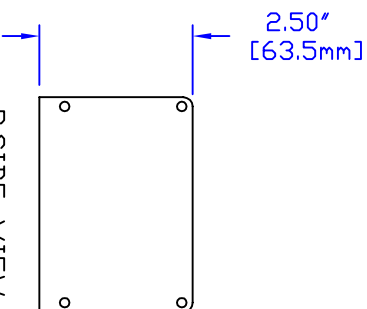
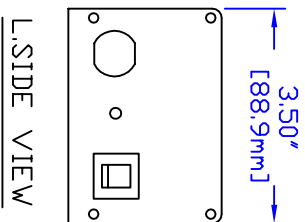
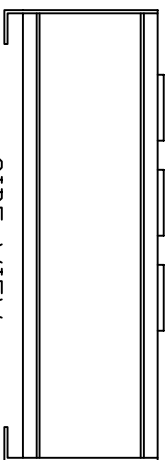
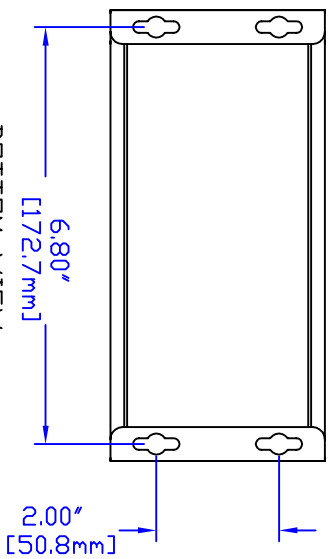


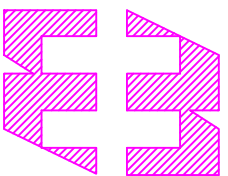
NOTES

- MATERIAL - EXTRUDED ALUMINUM CASE
- 6', 14 GAUGE WIRE CORD
- ON/OFF SWITCH

- FOR COMMERCIAL AND INDUSTRIAL USE
- INCLUDES 15 AMP, 120 VOLT RESETTABLE CIRCUIT
- CSA CERTIFIED
- 3 LED INDICATOR LIGHTS FOR POWER, PROTECTION, AND FAULTS



- FOR ANY MODIFICATIONS PLEASE PHONE OR FAX FOR AN IMMEDIATE QUOTATION.



HAMMOND MANUFACTURING

ZT1001-6

website: www.hammondmf.com