

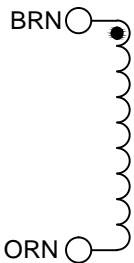
PRIMARY

SECONDARY

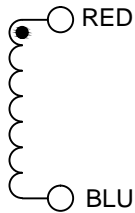
PRIMARY #1
117V 50/60Hz



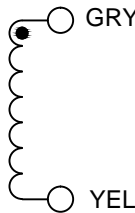
PRIMARY #2
117V 50/60Hz



SECONDARY #1
15V @ 4.00Amps



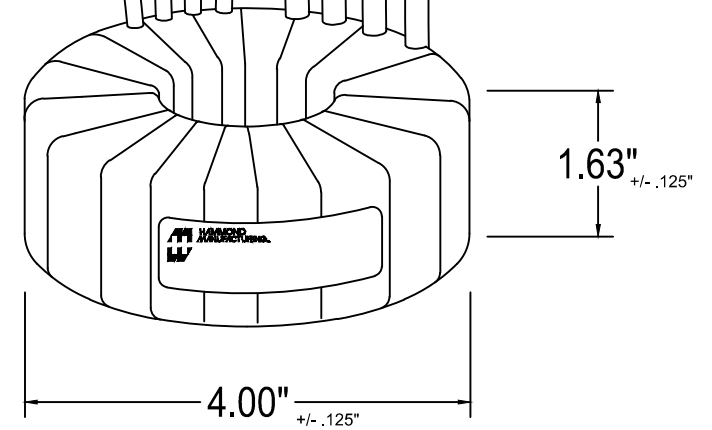
SECONDARY #2
15V @ 4.00Amps



PRIMARY LEADS ARE #20 TEW
SECONDARY LEADS ARE #16 TEW

ALL LEADS OUT 8"-9" AND STRIPPED 0.5" MIN.

WEIGHT: 2.95Lbs +/- 4%



HAMMOND MANUFACTURING. **1182N15**
50/60Hz VA:120

PRI: 2x 117V BLK-WHT, BRN-ORN
SEC: 2x 15V @ 4.00A RED-BLU, GRY-YEL

1A0120A000C015015

MADE IN CANADA DATE PB

RoHS Compliant

SUPPLIED WITH: TWO 0.062" T X 2.50" OD RUBBER WASHERS.
ONE 18GA X 2.375" OD STEEL MOUNTING WASHER.
ONE 10-24 BOLT 2.00" LONG WITH A LOCK WASHER AND 10-24 HEX NUT.

ELECTRICAL DATA:

TESTS	CONDITIONS	ACCEPTANCE CRITERIA
Sec. N.L.V	@ 117V, 60Hz BLK & BRN to WHT & ORN	
OR	@ 234V, 50Hz BLK to ORN (Connect BRN & WHT)	
	RED - BLU	16.27 V ±2%
	GRY - YEL	16.27 V ±2%
POLARITY	BLK, BRN, RED and GRY.	ADDITIVE
DCR	BLK - WHT	7.600 Ohms ±20%
IN OHMS	BRN - ORN	7.600 Ohms ±20%
	RED - BLU	0.120 Ohms ±20%
	GRY - YEL	0.120 Ohms ±20%
HI POT	PRIMARY - SECONDARY	4000V, 60Hz, 1 SEC
	PRIMARY - PRIMARY	600V, 60Hz, 1 SEC
	SECONDARY - SECONDARY	600V, 60Hz, 1 SEC

PROPERTY AND COPYRIGHT NOTICE
THIS DRAWING AND THE INFORMATION IT CONVEYS ARE THE PROPERTY OF HAMMOND MANUFACTURING. IT MAY NOT BE REPRODUCED, TRANSMITTED OR USED IN ANY MANNER WHATSOEVER WITHOUT THE WRITTEN PERMISSION OF HAMMOND MANUFACTURING.

REV	NOTES	BY	DATE	HAMMOND MANUFACTURING. ELECTRONIC DIVISION 52 RANKIN PLACE, WATERLOO, ONTARIO, N2J 3Z5 PHONE: 519.886.6181 FAX: 519.886.9540
				TOROID POWER TRANSFORMER
				DRAWN G. GRAY