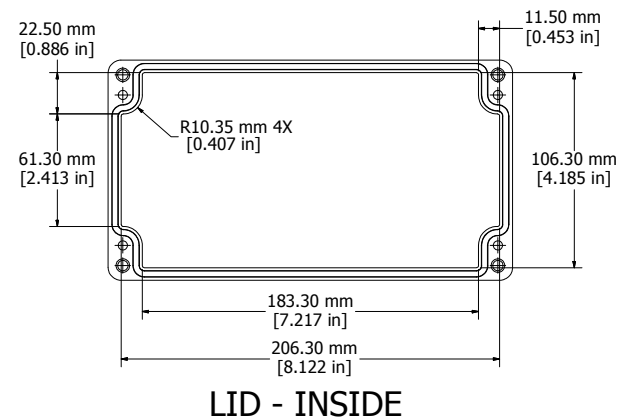
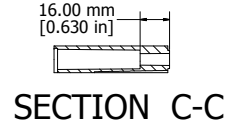
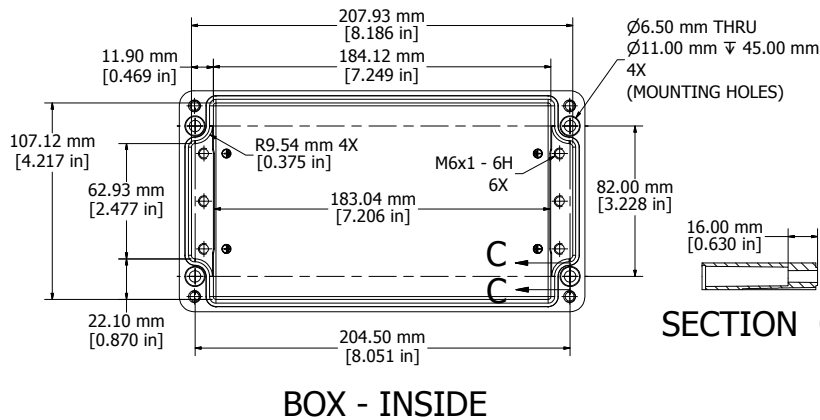


UL US LISTED
 File #E65324
 NEMA 4, 4X

Enclosures can be Factory Modified (Milling, Drilling, Printing etc.)
 Contact Factory njm@hammondmg.com for quotes
 Solid models of this enclosure available in STEP or IGES.



| NOTE | |
|--|------------|
| Purchased assembly includes box, lid, silicone gasket, M6x45 lid screws and M6x10 ground screws. | |
| Box and lid are made from Diecast Aluminum Alloy. | |
| Screws should not be torqued past 15-17 lbf.in (150 -170 cN.m) | |
| PART NUMBERS | |
| 1590Z150 Enclosure | |
| Basic Enclosure | 1590Z150 |
| Black Enclosure | 1590Z150BK |
| Grey Enclosure - RAL7001 Gloss | 1590Z150GY |
| ACCESSORIES | |
| Inner Panel | 1590Z150PL |

HAMMOND MANUFACTURING™
 1590Z155
www.hammondmg.com