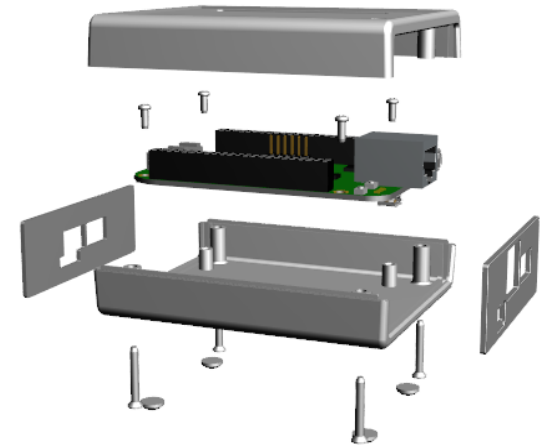


**SECTION A-A**



**\*FOR USE WITH BEAGLEBONE GREEN**

**NOTE**

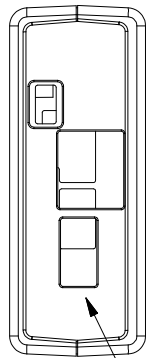
Purchased assembly includes top and bottom cover, front and rear end panels, 4 cover screws, 4 PCB screws and 4 clear rubber feet. (P.C. Board not included)  
Enclosure molded from ABS Plastic.

**Recommended Torque: 50-57 ozf.in / 35-40 cN.m**

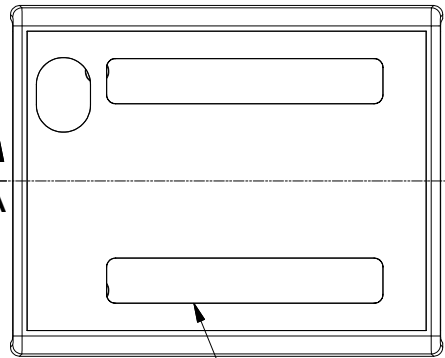
**PART NUMBERS**

**1593HAMBOGR Enclosure**

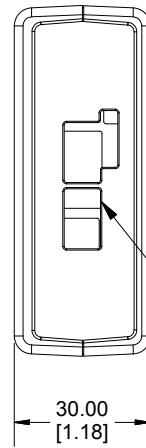
Grey Enclosure	1593HAMBOGRGY
Black Enclosure	1593HAMBOGRBK
Translucent Blue Enclosure	1593HAMBOGRBTU
<b>ACCESSORIES</b>	
Set of 1593HAMBOGR Panels (Grey)	1593BOGRL1BK-B
Set of 1593 HAMBOGR Panels (Black)	1593BOGRL1GY-B
Set of 1593HAMBOGR Panels (Translucent Blue)	1593BOGRL1TBU-B
Plated PCB Screws (Pkg 50) [M2.6 X 6mm]	SC519-50
Plated Cover Screws (Pkg 100) [#4 x 3/4"]	1593QS100
Black Cover Screws (Pkg 100) [#4 x 3/4"]	1593QS100BK



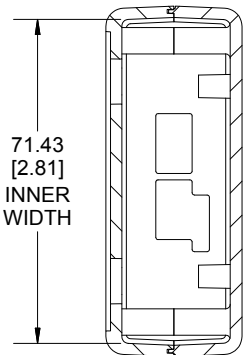
ETHERNET /  
MICRO USB /  
USB



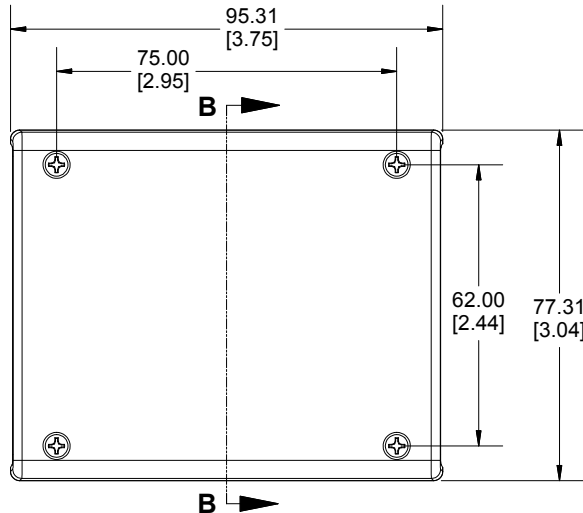
TOP ACCESS CUT-OUTS



4 PIN GROVE /  
MICRO SD



71.43  
[2.81]  
INNER  
WIDTH



**SECTION B-B**

Dimensions:  
mm  
[inches]

**HAMMOND  
MANUFACTURING**  
**1593HAMBOGR**  
www.hammondmfg.com