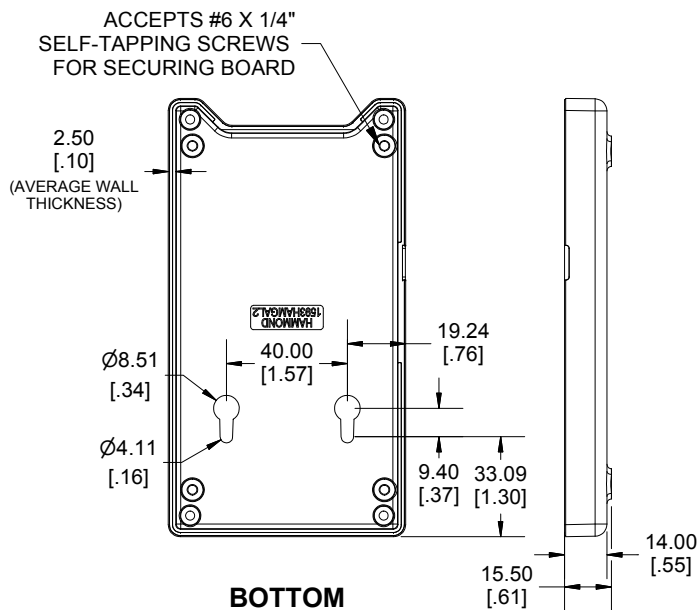
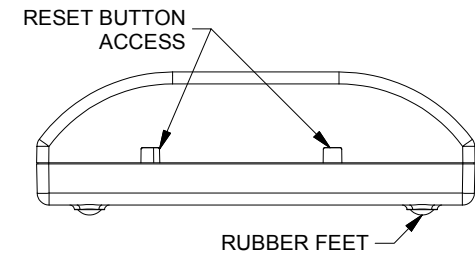
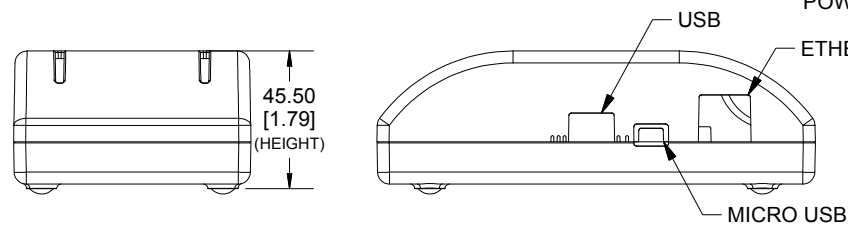
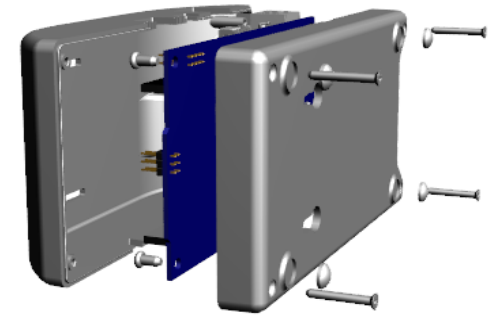
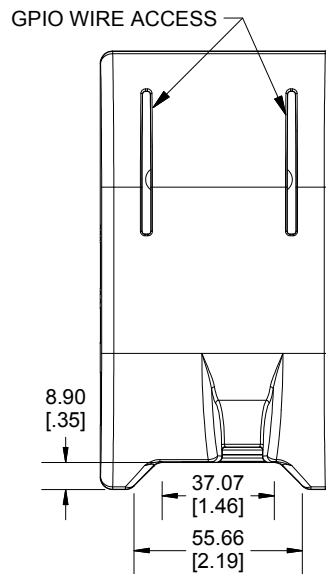
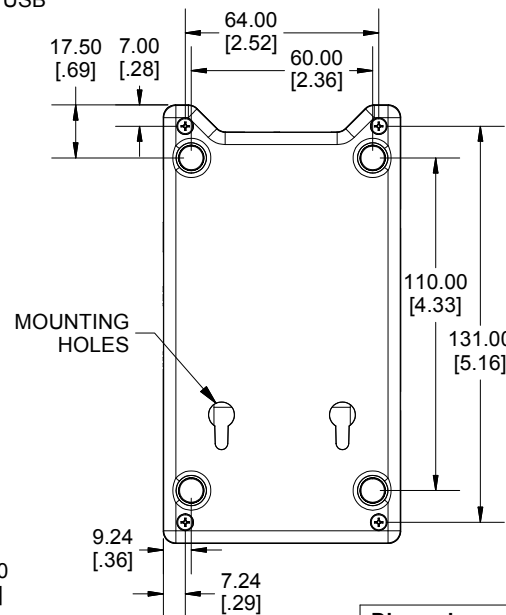


**TOP**



**BOTTOM**



**FOR USE WITH INTEL GALILEO GEN 2**

Enclosures can be Factory Modified ( Milling, Drilling, Printing etc.)  
 Contact Factory [mjm@hammondmfg.com](mailto:mjm@hammondmfg.com) for quotes  
 Solid models of this enclosure available in STEP or IGES.

**NOTE**  
 Purchased assembly includes top and bottom cover, 4 clear rubber feet, 4 case screws, and 4 P.C board screws (Development Board is not Included).

PART NUMBERS	
1593HAMGAL2 Enclosure	
Transparent Blue Enclosure	1593HAMGAL2TBU

**HAMMOND MANUFACTURING**

**1593HAMGAL2**

[www.hammondmfg.com](http://www.hammondmfg.com)

Dimensions:  
 mm  
 [inches]